

# Unlock your potential.

And open the door  
to opportunity.

# SPRING



Spring 2008 Course Schedule



**Dr. Humphrey Lee**  
President

## Welcome Spring Semester 2008

Welcome to Northwest-Shoals Community College (NW-SCC) where our purpose is to provide you with the best educational opportunities possible.

We are excited students of all ages and backgrounds attend Northwest-Shoals Community College. Students enroll at NW-SCC for many reasons. Some strive to earn their associate's degree and then transfer to a four-year college or university, while others choose to upgrade their job skills and immediately enter the workforce. Regardless of your educational desire, Northwest-Shoals is the place for you.

Students find convenience in the variety of our course offerings. We offer small class size and flexible course schedules to match your busy lifestyle. Online, evening, distance learning, and continuing education classes are among the options Northwest-Shoals offers.

We have provided the citizens of Northwest Alabama with first-rate, educational programs within a supportive learning and teaching environment for the past 40 years. Northwest-Shoals has enjoyed establishing itself as a vital part of the communities and looks forward to providing continued and enhanced service for many years to come.

I encourage you to spend time on either or both of our two campuses and with our fine faculty and staff, I believe you will find that Northwest-Shoals Community College is the place for you to unlock your potential >>.

### STUDENT SERVICES

<u><i>If problems with:</i></u>	<u><i>Contact</i></u>	<u><i>Phone Number</i></u>
Academic Programs . . . . .	Dean of Instruction . . . . .	331-5217/331-6270
Address Change . . . . .	Admissions Office . . . . .	331-5425/331-6227
Adding/Dropping a Class . . . . .	Admissions Office . . . . .	331-5425/331-6227
Admissions . . . . .	Admissions Office . . . . .	331-5425/331-6227
Athletics . . . . .	Athletic Office . . . . .	331-5466
Auditing a Course(s) . . . . .	Registrar . . . . .	331-5267/331-6219
Books . . . . .	Bookstore . . . . .	331-5227/331-6213
Career Information . . . . .	Career Center . . . . .	331-5286/331-6297
Clubs and Organizations . . . . .	Student Life . . . . .	331-5207/331-6201
Disabilities . . . . .	Student Support Services . . . . .	331-5321
Final Exams (Missing of) . . . . .	Dean of Instruction . . . . .	331-5217/331-6270
Financial Aid . . . . .	Financial Aid Office . . . . .	331-5364/331-6232
GED Testing . . . . .	Advising Center . . . . .	331-5359/331-6297
Graduation Applications . . . . .	Admissions Office . . . . .	331-5425/331-6219
Graduation . . . . .	Dean of Instruction . . . . .	331-5217/331-6270
Housing (Shoals Campus) . . . . .	Student Life . . . . .	331-5207
ID Cards . . . . .	Student Life . . . . .	331-5207/331-6261
Intramurals . . . . .	Student Life . . . . .	331-5370/331-6260
Job Placement . . . . .	Career Center . . . . .	331-5286/331-6297
Parking . . . . .	Campus Safety . . . . .	331-5415/331-6304
Parking Permits . . . . .	Campus Safety . . . . .	331-5415/331-6304
Placement Tests . . . . .	Testing Lab . . . . .	331-5443/331-6297
Refunds . . . . .	Cashier's Office . . . . .	331-5226/331-6382
Registration . . . . .	Admissions Office . . . . .	331-5425/331-6219
Scholarships . . . . .	Financial Aid Office . . . . .	331-5417/331-6232
Transcripts . . . . .	Admissions Office . . . . .	331-5461/331-6227
Transfer Credit . . . . .	Registrar . . . . .	331-5267/331-6227
Tutoring Services . . . . .	Student Support Services . . . . .	331-5318/331-6276
Withdrawal from Classes . . . . .	Admissions Office . . . . .	331-5461/331-6219
Work Study . . . . .	Financial Aid Office . . . . .	331-5364/331-6222

### NOW OFFERING

#### First Mini-Term Classes

January 7-February 28

#### Second Mini-Term Classes

March 3-April 30

### ATTENTION NEW STUDENTS

#### New Student Orientation Classes Meet:

#### One Time Only

January 4, 2008

8:00 a.m.-12:00 p.m.

or 5:00 p.m.-9:00 p.m.

Phil Campbell and Shoals

or

#### Second Mini-Term

Begins March 3-Ends April 30

Tuesday & Thursday

12:30 p.m.-1:20 p.m.

Shoals Only

or

#### Distance Education

See Main Section of  
Class Schedule for Details

### TABLE OF CONTENTS

Advising . . . . .	2
Advisor List . . . . .	2
Applying for Graduation . . . . .	8
Bookstore . . . . .	7
Child Development . . . . .	8
COMPASS Test . . . . .	2
Continuing Education . . . . .	37-38
Course Listings	
Spring Semester . . . . .	12-34
Mini-Term Courses . . . . .	32-33
Short-Term Courses . . . . .	32
Distance Education Courses . . . . .	33-35
Financial Aid . . . . .	6-7
Final Examination Schedule . . . . .	8
Refund Policy . . . . .	6
Registration . . . . .	3-4
Senior Citizen Discount . . . . .	7
Student Decals . . . . .	8
Tuition and Fees . . . . .	7

**CREDIT HOURS**

1. A normal credit hour load is considered 15-16.
2. Students who enroll for less than 12 credit hours are considered part-time.
3. Students enrolling for more than 19 credit hours must have the approval of the Dean of Instruction. An absolute maximum of 24 credit hours exists for all students.

**NEW STUDENT ADVISING**

First-time freshmen, transfer, transient, dual enrollment and/or readmitted students will be assigned advisors early in the registration process by personnel in the Admissions Office.

Please read the "Open Registration" section on Page 4 of this publication for an explanation of the registration process and assignment of advisors.

Advisors assigned will be listed in the section found on this page. Call the Admissions Office should you have questions.

For further information concerning advisor assignments, transferability, or program of study requirements, contact

Wanda M. Lewis .....331-5359

**CURRENTLY ENROLLED STUDENTS**

Students **must see assigned advisors** in order to register. Please arrange an appointment with your advisor immediately. Advisors' respective campus telephone numbers and office locations (buildings) are listed on this page in the adjacent column. The prefix for all College telephone numbers is **331-xxxx**. Advisors are located on the Shoals Campus if their extension begins with five (5) and the Phil Campbell Campus if their extension begins with six (6).

Dates for Advising .....**November 5-9, 13-16**

**COMPASS PLACEMENT TEST**

**Shoals Campus:** Compass given by appointment. Call the Advising Center at 331-5443 or 331-5359. If no answer, call the Testing Lab between 4:00 and 8:00 p.m. at 331-5482.

**Phil Campbell Campus:** Compass given by appointment. Call Carolyn Fincher at 331-6297 for an appointment.

Children, cell phones and pagers are not allowed in Testing or Career Lab.

**Contact the Admissions Office if you do not know your advisor's name.  
(800) 645-8967 or 331-5425/331-6227**

ADVISOR	EXT.	BLDG.
ALLS, Joe Mark	.6229	.S-13
BALES, Ann	.6237	.OC-228
BALTES, Joan	.5353	.112
BANKSTON, Callie	.5265	.110
BARNES, Shelia	.5336	.122
BENSON, Debbie	.5296	.120
BONNER, Jim	.5244	.102
BOWEN, Eddie	.5303	.120
BRACKINS, Ken	.6242	.A-16N
BUTLER, Ann	.6256	.OC-207
CARTER, Edwin	.5277	.124
CARTER, Tom	.5263	.100
CHANDLER, Stephen	.5234	.112
COLAGROSS, Dr. Glenda	.5275	.100
CRABTREE, Sherry	.6258	.AV-18
CURTIS, Virginia	.5442	.110
DABBS, Dr. Carole	.6250	.OC-227
DURDUNJI, Diann	.5450	.107
EDWARDS, Dr. Ronald	.5268	.112
ENGLAND, Dr. Robert	.5309	.120
EUBANKS, Claude	.5293	.122
FREDERICK, Jan	.5494/6294	.108/FA-10
GARNER, Roger	.5254	.108
GLASGOW, Jimmy	.6371	.309
GOODLOE, Daron	.5372	.123
HACKWORTH, Joe	.5335	.109
HALL, Bruce	.5251	.102/106
HARDY, Charles	.5236	.109
HARRISON, Sam	.5250	.103
HAWKINS, Mary	.5330	.100
HEAD, Robert	.5332	.110
HOGAN, Paul	.5232	.112

ADVISOR	EXT.	BLDG.
HOLCOMB, Susan	.6244	.OC-222
HORTON, Lana	.5295	.123
HOWARD, Tommy	.5259	.122
HUBKA, Mike	.5270	.115
JACKSON, Bruce	.6389	.309
JAMES, Jeff	.6234	.OC-108S
JAMES, Dr. Timmy	.6281	.OC-105/A-12
JONES, Rose	.5367	.123
KELLEY, Tim	.6287	.AV-13
LEE, Mark	.5491	.118
LEWIS, Wanda	.5359	.100
LYLES, Lin	.5254	.108
LOGAN, Sarah	.6252	.OC-206
LONG, Ginger	.5334/6267	.120/AV-17
LYNDON, Ann	.5319	.110
MAUPIN, Tim	.5247	.105
MAY, Keith	.5254	.108
MCALISTER, Jeff	.6299	.FA-09G
MCALISTER, Lanny	.6233	.FA-10G
MCCLINTON, Tywana	.5212	.112
MCCLUNG, Michael	.6313	.AV-16
MCGILL, Bret	.5249	.100
MCGOUYRK, Steve	.5246	.103
MCINTOSH, John	.5323	.100
MURPHY, Dr. Mike	.6246	.S-4
NESBITT, Marcia	.5320	.120
OLIVER, Stephanie	.6293	.OC-229
OYEN, Todd	.5437	.122
PACE, Barry	.6225	.H upstairs
PACE, Diane	.5352	.107
PEARSON, Selina	.5487	.120
PETERS, Pam	.6326	.302

ADVISOR	EXT.	BLDG.
POOL, Bradley	.6295	.AV-25
REAVES, Ricky	.5201	.103
REID, Eric	.5231	.104
RHODES, Wanda	.5458	.122
RICE, Alton	.5257	.105
RICKETTS, Kim	.5331	.122
ROBERSON, Teresa	.5276	.112
SEALY, Pat	.5324	.120
SHACKELFORD, Tony	.6260	.H-107B
SHARP, Tom	.5420	.110
SIMPSON, Mark	.5435	.122
SMITH, Shelia	.5337/6207	.122/OC-228
SMITH, William	.5326	.123
SOCKWELL, Dr. Craig	.5378	.123
SORRELL, Janelle	.5306	.122
SOUTH, Desiree	.5211	.112
STONE, Dr. Ruth	.5301	.120
SWINNEY, Kaye	.6254	.OC-311A
SYKES, Donna	.6249	.OC-205
TAYLOR, Charles	.5462/6218	.100/301
THOMPSON, Brad	.5490	.122
THOMPSON, Melanie	.5375/5338	.118
THORNTON, Carol	.5294	.120
TIDWELL, Cindy	.5305	.122
TRAPP, Rachel	.5237/6288	.114/306L
VANDIVER, Dudley	.5247	.105
VAUGHN, Linda	.6283	.AV-22
WAIDE, Linda	.5321	.100
WALKER, Dr. Ann	.5358	.110
WARD, Kristy	.5370	.118
WATSON, Sharon B.	.6253	.AV-24



# Registration Procedures

## Registration is January 3, 2008

Students registering on the Phil Campbell Campus should report to the Administration Building. Students registering on the Shoals Campus should report to the Patriot Center.

The following steps are to be followed by First-time Freshmen, Transfers, Transient, Dual Enrollment, and Readmitting Students.

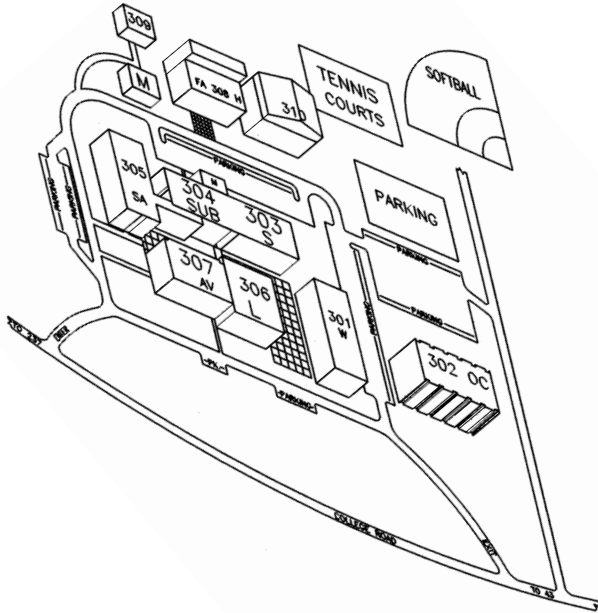
**January 3 8:00 a.m.-12:30 p.m. & 4:30 p.m.-7:00 p.m.**

- Step 1. Report to **Check-In Station** of the appropriate campus.
- Step 2. If an application for admission or readmission has not been completed, go to the **Walk-In Work Area** to complete application. (A readmission application must be completed, if the student is not enrolled for the current semester.) If the application for admission has already been submitted to the Admissions Office, go to **Photo I.D. Station**.
- Step 3. **Photo I.D. Station:** Have picture taken for Photo I.D. and register vehicle for parking decal. Tag number is required to obtain parking decal.
- Step 4. **Testing:** Take COMPASS test, if appropriate. Students who have not successfully completed college-level English and/or math must take the COMPASS test, unless they made 20 or above on the math and/or English portion of the ACT College Entrance Exam. Then go to the **Advising Transcript Station** to obtain COMPASS scores and/or transfer credit and meet with assigned advisor to schedule appropriate classes.
- Step 5. Take completed registration form to the **Data Entry/Invoice Station** for processing. If any classes the student is registering for are full, go to the **Scheduling/Help Area** for assistance. Return to the **Data Entry/Invoice Station** to complete this step and receive printed invoice.
- Step 6. All students **must** go to the **Financial Aid Station** for financial assistance review.
- Step 7. Take invoice to the **Cashier Station** for payment of tuition and fees. All students whether paying tuition by cash, charging to a scholarship or financial aid program, must go to the **Cashier Station**. Schedules of students not completing this step will be cancelled. Pay tuition and fees by **7:00 p.m., January 3** to avoid cancellation of class schedule. Photo I.D. cards will be validated at the time tuition is paid.

### Trial Registration Schedule

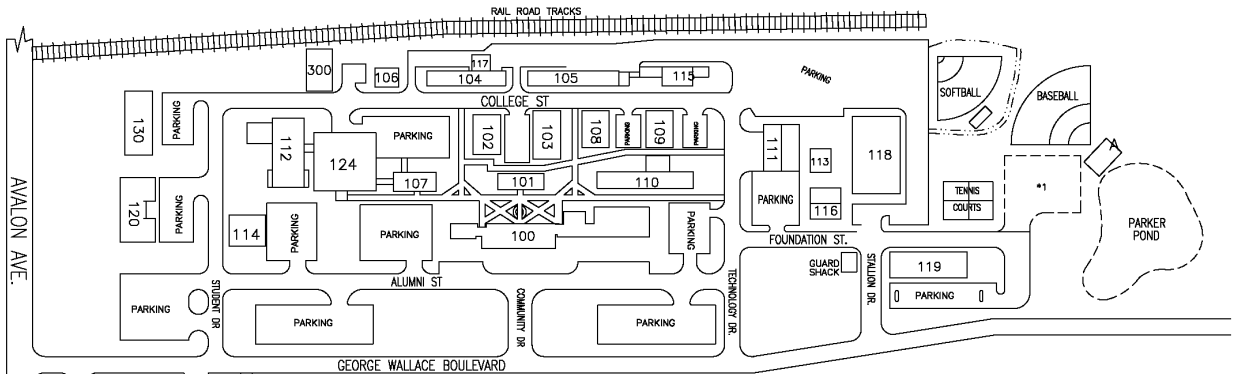
STUDENT IDENTIFICATION NUMBER			LAST NAME				FIRST NAME				MIDDLE/MAIDENNAME						
SEMESTER		YEAR		ADDRESS				CITY				STATE		PHONE			
DEPT.	NUMBER	SECTION	COURSE TITLE	INSTRUCTOR		START TIME	END TIME	S	M	T	W	T	F	S	BLDG	ROOM	CR HOURS
OVER 19 HOURS: DEAN OF INSTRUCTION						TOTAL CREDIT HOURS											
NW-SCC PROGRAM OF STUDY						*STUDENT SIGNATURE						DATE					
TRANSFER PROGRAM OF STUDY						ADVISOR SIGNATURE											
NEXT COLLEGE YOU PLAN TO ATTEND						ADMISSIONS OFFICE SIGNATURE											
<small>*WHILE THE ACADEMIC ADVISOR ASSISTS THE STUDENT BY HELPING IDENTIFY AND ASSESS ALTERNATIVES AND CONSEQUENCES OF DECISIONS, THE STUDENT HAS THE ULTIMATE RESPONSIBILITY FOR MAKING THESE DECISIONS AND BY THEIR SIGNATURE ACCEPT THE ACCURACY AND APPLICABILITY OF COURSES LISTED ON IT.</small>																	

# College Campuses



## PHIL CAMPBELL CAMPUS

- 301 W Wallace Administration Building
- 302 OC Occupational Building  
Child Development Center
- 303 S Science Building
- 304 SUB Student Union Building and Cafeteria
- 305 SA Student Activities Center
- 306 L James A. Glasgow Library
- 307 AV Audio Visual Building
- 308 H Health and Gymnasium
- 309 Woodworking Technology Center
- 310 Lou B. Beville Fine Arts Center
- M Maintenance Building



## SHOALS CAMPUS

- |   |   |
|---|---|
| 100 Victor P. Poole Administration Complex                      | 115 Center for Industrial Training and Community Education/Art        |
| 101 Testing Center  | 116 Hospitality Center  |
| 102 AC/Refrigeration/Energy Management<br>Electrical Technology | 117 Auto Body Paint Booth   |
| 103 Electronics Technology/Upholstery                           | 118 Patriot Center/Fitness Center                                     |
| 104 Automotive Collision Repair                                 | 119 Student Housing   |
| 105 Machine Tool/CNC<br>Design Engineering Technology           | 120 General Classroom Facility  |
| 106 Adult Education   | 121 Center for Environmental Technology                               |
| 107 Child Development Center                                    | 122 Physics, Math, LPN Nursing/EMS<br>Water and Wastewater Management |
| 108 Welding   | 123 Biology, Chemistry, and Physical Science                          |
| 109 Carpentry/Cabinetmaking                                     | 124 Workforce Development Center                                      |
| 110 Cosmetology<br>General Classroom Facility                   | 130 North Alabama Council of Local Governments (NACOLG)               |
| 111 Physical Plant Administration<br>Technical Services         | 300 Automotive Service Technology                                     |
| 112 Center for Business and Computer<br>Technology              | A Press Box/Concession Stand/Restrooms                                |
| 113 Physical Plant Warehouse                                    | * 1 Proposed Parking  |
| 114 Larry W. McCoy Learning Resources<br>Center                 |   |

## FINANCIAL AID OFFICE

To obtain information regarding financial help for your expenses at Northwest-Shoals Community College, visit our Financial Aid Offices or pick up an Application for Federal Student Aid.

Remember to apply for Federal Aid at least four to six weeks before classes begin. Personnel are available to help you complete the forms. Students may apply on-line using their Federal PIN at website [www.fafsa.ed.gov](http://www.fafsa.ed.gov). Additional aid is available through scholarships and outside sponsors for those who qualify.

**Notice to Students:** New/Transfer Students who have sent their application to Federal Student Aid and have not received a response within 3-4 weeks, please contact our offices. Students who have received their Federal Student Aid Report (yellow form), please bring it along with 2006 income information (1040 taxes) to the Financial Aid Office as soon as possible.

**Deadline:** Students must have Federal Pell Grants and Federal Stafford Loans approved by the Financial Aid Office prior to the January 3, 2008, Open Registration Day if charges are to be made. Students without prior approval should make plans to pay (cash, check, credit card) on the January 3, 2008, Open Registration Day. Reimbursements will be made later when students are officially approved for aid.

Financial Aid Offices are located on both the Shoals and Phil Campbell Campuses. In Muscle Shoals, the office is located on George Wallace Boulevard in Building 100. In Phil Campbell, the office is located in the Administration Building.

To telephone Financial Aid Offices, call the following:  
Phil Campbell: 331-6232 Shoals Campus: 331-5364  
Toll Free: (800) 645-8967

**Ability to Benefit:** Students who do not have a GED or high school diploma are permitted to use Federal Student Aid in a limited number of occupational programs. Students must pass all three parts of the ASSET or COMPASS tests at the same time before receiving aid. The test is free the first time and then \$8.00 thereafter.

**Deadline for charges: Students on federal financial aid (Pell & SSLP) must make all charges in the Cashier's Office or Bookstore by January 11, 2008. All other financial aid charges end January 18, 2008.**

## FEDERAL FINANCIAL AID

Students on Federal Student Aid (Pell Grant & Loan) who totally withdraw from classes before the 60% point (March 14, 2008) in the semester may be required to repay a portion of their funds to the U.S. Department of Education, lender, or NW-SCC.

## REFUND POLICY

A copy of the Refund Policy Number 803.02 issued Sept. 26, 1996, by the Department of Postsecondary Education, with guidelines for the policy, can be obtained from an employee in the Northwest-Shoals Community College Business or Admissions Office. For additional information concerning refunds from the College refer to pages 18-19 in the 2005-2006 College Catalog.

A sample of how the tuition refunds are calculated can be obtained by contacting an employee in the Northwest-Shoals Community College Cashier's Office.

### Refund for Complete Withdrawal

A student who officially or unofficially withdraws from all classes before the first day of class will be refunded the total tuition and other institutional charges.

A student who officially or unofficially withdraws completely on or after the first day of class but prior to the end of the third week of class will be refunded according to the official withdrawal date, as follows:

<b>Deadlines</b>	<b>Percent</b>
1. Prior to <b>January 7</b>	100%
2. Withdrawal first week: <b>January 7-11</b>	75%*
3. Withdrawal second week: <b>January 12-18</b>	50%*
4. Withdrawal third week: <b>January 19-25</b>	25%*
5. After <b>January 25</b>	0%

**\*Administrative Fee** - An administrative fee not to exceed five (5) percent of tuition and other institutional charges or \$100, whichever is smaller, shall be assessed in addition to the reduced percentage, for each withdrawal within the period beginning the first day of class and ending at the end of the third week of class.

**Refund for Partial Withdrawal** - Students who do not completely withdraw from the College but drop a class during the regular drop/add period will be refunded the difference in tuition paid and the tuition rate applicable to the reduced number of hours, including fees appropriate to the classes dropped. There is no refund due to a student who partially withdraws after the official drop/add period.

## Student ID Conversion:

In June 2006, Northwest-Shoals Community College discontinued the use of Social Security numbers as Student Identification numbers to help keep your identity safe. Each student will be assigned a new ID number to be used for all areas of the College. The new ID number will appear on the NW-SCC OneCard, the College's official student ID card. It is important to have this card with you at all times, especially to access areas such as Bookstore, Library, and Testing Center.

## PARKING

### Designated parking by color-coded spaces:

Red	Administration/Faculty/Staff
Green	Visitors
White	Student
Blue	Handicap
Yellow	No Parking/Loading Zone

**TUITION AND FEES**

Credit Hours	Alabama Resident	Non-Resident of Alabama
1	96.00	167.00
2	192.00	334.00
3	288.00	501.00
4	384.00	668.00
5	480.00	835.00
6	576.00	1,002.00
7	672.00	1,169.00
8	768.00	1,336.00
9	864.00	1,503.00
10	960.00	1,670.00
11	1,056.00	1,837.00
12	1,152.00	2,004.00
13	1,248.00	2,171.00
14	1,344.00	2,338.00
15	1,440.00	2,505.00
16	1,536.00	2,672.00
17	1,632.00	2,839.00
18	1,728.00	3,006.00
19	1,824.00	3,173.00

The above class fee schedule includes a facility renewal fee of \$9.00 per credit hour, a technology fee of \$9.00 per credit hour, a building fee of \$6.00 per credit hour and a bond surety fee of \$1.00 per credit hour.

- Late Registration Fee \$25.00
- Graduation Fee \$35.00
- Replacement Photo ID \$20.00
- ASSET/COMPASS Retest \$8.00
- Orientation Fee \$10.00

**DISTANCE EDUCATION**

Distance Education tuition is **\$90.00 per credit hour**. A student desiring to take more than 19 credit hours must have the approval of the Dean of Instruction. Advising is available on our website at [nwsc.edu](http://nwsc.edu). Follow the links to Distance Education.

**SENIOR CITIZEN DISCOUNT**

Tuition for credit classes is free for persons 60 years or older. All other fees are calculated at the normal rate. A 10% discount can be applied to non-credit continuing education classes. Admission requirements are the same for all students, and all classes are available for audit if students have met course prerequisites listed in the course description.

**Hours of Operation during On-Site Registration for Admissions, Cashier, Bookstore, and Financial Aid:**

**November 13-16 (Early Registration)**

**Phil Campbell and Shoals Campuses**

Tuesday-Thursday (November 13-15) .....7:30 a.m.-5:30 p.m.

Friday (November 16) .....7:30 a.m.-4:00 p.m.

**Bookstore & Cashier**

Tuesday-Thursday (November 13-15) .....7:30 a.m.-3:00 p.m.

Tuesday-Thursday (November 13-15) .....4:00 p.m.-5:00 p.m.

Friday (November 16) .....7:30 a.m.-3:00 p.m.

**January 3 (Open Registration)**

**Phil Campbell and Shoals Campuses**

Thursday (January 3) .....8:00 a.m.-12:30 p.m. & 4:30 p.m.-7:00 p.m.

January 4 .....7:30 a.m.-5:30 p.m.

**Bookstore and Cashier** .....7:30 a.m.-3:00 p.m. & 4:00-5:30 p.m.

**January 4, 7-12 (Add/Drop)**

**Phil Campbell and Shoals Campuses**

Monday-Thursday (January 7-10) .....7:30 a.m.-7:00 p.m.

Friday (January 4 & 11) .....7:30 a.m.-4:00 p.m.

Saturday (January 12) \*Shoals Campus Only .....7:30 a.m.-10:30 a.m.

**Hours of Operation for Instructional Dean's Office:**

Monday-Thursday .....8:00 a.m.-8:00 p.m.

Friday .....8:00 a.m.-4:30 p.m.

**Financial Aid charges will be accepted in the bookstore:**

**January 7-11 (Pell & Student Loan)**

**January 7-18 (all other)**

**Cash for Used Books**

**December 11-18**

*Bring your used books in good condition to the Bookstores.*

Shoals Campus-Building 100 Phil Campbell Campus- Building 304 SUB

**Bookstore Pre-purchase Program**

The NW-SCC Bookstore is excited to be able to offer a time-saving service to our students who charge books and supplies to any type of financial aid. Since students have to wait until classes begin to charge in the bookstore, long lines are created. To avoid waiting in line the first day of class you can take advantage of our Pre-purchase Program. During early registration, simply bring your schedule to the bookstore, shop for school supplies, and charge them to financial aid. The bookstore staff will give you a receipt and box your purchase. You may pick it up the first three days of class at a location near the bookstore.

Pre-purchase will be available **November 5-December 18.**

Pick-up will be **January 7-9.**

## CHILD DEVELOPMENT CENTERS

### *Shoals Campus Pre-School and Pre-K Programs:*

Northwest-Shoals Community College Child Development Center is an on-campus N.A.E.Y.C.\* accredited program for preschool children (potty trained - age 5) of the Northwest-Shoals Community College service area including children of the community as well as college students, faculty and staff. Two separate programs housed in the Child Development Center operate fall and spring semester including a preschool program ( 2 1/2-5) and an Alabama State funded Office of School Readiness Pre-Kindergarten program (age 4 by September 1 of each fall). A summer program for preschool and school age children is also available on the Shoals campus. For more information call Shoals Child Development Center at 331-5245 or pick up a registration packet at the Child Development Center, Building 107, Shoals Campus. (C.M.A. accepted)

### *Phil Campbell Child Development Center*

The Phil Campbell Campus N.A.E.Y.C.\* accredited Child Development Center houses a 12 month Head Start Program for income eligible 3 to 4-year-old children. This program is available for children of the community, college students, faculty and staff. For additional information call 331-6203 or 331-5245.

\*National Association for the Education of Young Children: High-Quality Early Childhood Program

## APPLYING FOR GRADUATION

Applications for graduation are due to the Dean of Instruction's Office on or before the **eighth week**, mid-term, of the semester preceding the term in which students expect to complete all certificate or degree requirements.

The graduation fee is \$35.00 for the first degree/certificate and \$17.50 for each additional degree/certificate or reprint.

## 2008 SPRING SEMESTER GRADES

Students should access the web in order to receive their grades for the term. Students can access the web with their student number and PIN.

[www.nwscc.edu-web/registration/onlineservices/grades](http://www.nwscc.edu-web/registration/onlineservices/grades)

**Transfer/transient** students must file a written request with Admissions to have grades sent to designated colleges or universities.

## STUDENT DECALS

All students are required to have a 2007-2008 car decal which must be displayed on vehicle. Decals are valid from September 1 through August 31.

## 2008 SPRING SEMESTER EXAM SCHEDULE

### May 1-6, 2008

Final exams are administered in all courses. They are to be given during the times and dates scheduled below. All classes will meet as scheduled through April 30, 2008. **No deviation may be made in the regular class or exam schedule without the prior approval of the Dean of Instruction.** If the time of one of your final exams is not listed, please contact your instructor. Final grades will be turned in electronically no later than Wednesday, May 7, at 9:00 a.m. Grades will be posted for on-line access no later than Wednesday, May 7. The online link to view grades is found on the home page of the Northwest-Shoals web site. **You will need your student number to access grades.**

### CLASSES WHICH MEET

### EXAM PERIOD

First Mini-Term Regular Class Time	<b>Thursday, February 28</b> Regular Class Time
Second Mini-Term Regular Class Time	<b>Wednesday, April 30</b>  <b>Wednesday, April 30</b>
MW/MWF/WF 8:00 a.m..	8:00-10:00 a.m.
MW/MWF 11:00 a.m.	10:30-12:30 p.m.
MW 2:15 p.m.	1:00-3:00 p.m.
MW 5:00/5:30 or Wed Only 5:30 p.m.	5:30-7:30 p.m.
MW 8:30 p.m.	8:00-10:00 p.m.
TTH 8:00 a.m.	<b>Thursday, May 1</b> 8:00-10:00 a.m.
TTH 10:00/TTH 11:00 a.m.	10:30-12:30 p.m.
TTH 2:15 p.m.	1:00-3:00 p.m.
TTH/Tuesday Only 5:30 p.m.	5:30-7:30 p.m.
TTH 7:00 p.m.	8:00-10:00 p.m..
Friday Only WF 5:00 or 5:30 p.m.	<b>Friday, May 2</b> Regular Class Time Regular Class Time
Saturday Only	<b>Saturday, May 3</b> Regular Class Time
MW 9:30/MWF 9:00 a.m.	<b>Monday, May 5</b> 8:00-10:00 a.m.
MWF 10:00 a.m.	10:30-12:30 p.m.
MW 12:45/MW 1:00 p.m.	1:00-3:00 p.m.
MW 3:45 or 4:00 p.m.	3:15-5:15 p.m.
MW/MWF 7:00 p.m.	5:30-7:30 p.m.
TTH 9:30 a.m.	<b>Tuesday, May 6</b> 8:00-10:00 a.m.
TTH 12:45/ TTH 1:00 p.m.	10:30-12:30 p.m.
TTH 3:45 p.m.	4:00-6:00 p.m.
TTH 7:00 p.m.	7:00-9:00 p.m.



STATE OF ALABAMA

# STARS

Statewide Transfer & Articulation Reporting System

You can access the STARS link by going to the Northwest-Shoals home page at [www.nwscc.edu](http://www.nwscc.edu)

## DON'T EVEN THINK

about registering for classes until you've printed your own STARS Transfer Guide.

<http://stars.troy.edu>

## GET THE GUIDE

The only way to make sure ALL your credits will transfer.





## 2007-2008 BASKETBALL SCHEDULE

DATE	OPPONENT	SITE	TIME	W/M
November 5	Northeast MS CC	Away	6:00/8:00	W/M
November 10	Bishop State	Away	2:00	W only
<b>November 12</b>	<b>Columbia State</b>	<b>Shoals</b>	<b>5:30/7:30</b>	<b>W/M</b>
<b>November 15</b>	<b>Itawamba CC</b>	<b>PC</b>	<b>5:30/7:30</b>	<b>W/M</b>
November 17	Southern Union	Away	5:30	W only
<b>November 20</b>	<b>Motlow State</b>	<b>Shoals</b>	<b>5:30</b>	<b>W only</b>
November 22	Tallahassee T-ment	Away	TBA	M only
November 23	Tallahassee T-ment	Away	TBA	M only
November 23	Okaloosa Walton T-ment	Away	5:30	W only
November 24	Okaloosa Walton T-ment	Away	1:30	W only
<b>November 29</b>	<b>Northeast MS CC</b>	<b>Shoals</b>	<b>5:30/7:30</b>	<b>W/M</b>
December 1	Enterprise	Away	2:30/4:30	W/M
December 4	Motlow State	Away	5:30	W only
<b>December 8</b>	<b>Chattahoochee Valley</b>	<b>Shoals</b>	<b>2:00/4:00</b>	<b>W/M</b>
December 11	Itawamba CC	Away	6:00/8:00	W/M
<b>December 17</b>	<b>Alabama Southern</b>	<b>PC</b>	<b>5:30</b>	<b>W only</b>
<b>December 17</b>	<b>Marion Institute</b>	<b>PC</b>	<b>7:30</b>	<b>M only</b>
December 19	Columbia State	Away	6:00/8:00	W/M
<b>December 22</b>	<b>Lurleen B Wallace</b>	<b>PC</b>	<b>3:00/5:00</b>	<b>W/M</b>
January 4	Dyersburg St Classic	Away	TBA	M only
January 5	Dyersburg St Classic	Away	TBA	M only
January 12	Faulkner State	Away	3:00/5:00	W/M
January 14	Shelton State	Away	5:30/7:30	W/M
<b>January 17</b>	<b>Snead State</b>	<b>Shoals</b>	<b>5:30/7:30</b>	<b>W/M</b>
<b>January 21</b>	<b>*Bevill-Fayette</b>	<b>PC</b>	<b>5:30/7:30</b>	<b>W/M</b>
<b>January 24</b>	<b>Wallace-Hanceville</b>	<b>Shoals</b>	<b>5:30/7:30</b>	<b>W/M</b>
January 28	Gadsden State	Away	5:30/7:30	W/M
<b>January 31</b>	<b>Bevill-Summiton</b>	<b>Shoals</b>	<b>7:30</b>	<b>M only</b>
<b>February 2</b>	<b>Wallace-Selma</b>	<b>Shoals</b>	<b>2:00</b>	<b>W only</b>
February 4	Lawson State	Away	5:30/7:30	W/M
<b>February 7</b>	<b>Shelton State</b>	<b>Shoals</b>	<b>5:30/7:30</b>	<b>W/M</b>
February 11	Snead State	Away	5:30/7:30	W/M
February 14	Bevill-Fayette	Away	5:30/7:30	W/M
February 18	Wallace-Hanceville	Away	5:30/7:30	W/M
<b>February 21</b>	<b>Gadsden State</b>	<b>Shoals</b>	<b>5:30/7:30</b>	<b>W/M</b>
February 23	Marion Institution	Away	7:30	M only
February 25	Bevill-Sumiton	Away	7:30	M only
<b>February 28</b>	<b>Lawson State</b>	<b>Shoals</b>	<b>5:30/7:30</b>	<b>W/M</b>
<b>March 1-8</b>	<b>State Tournament</b>	<b>Shoals</b>	<b>TBA</b>	<b>W/M</b>

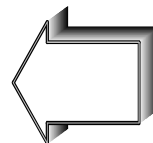
\* Homecoming

### Cancellation of Classes:

Every effort is made to insure that courses and programs described in the College Catalog are offered to students in an appropriate and reasonable sequence. Students should be aware, however, that admission to the College or registration for a given semester does not guarantee the availability of a specific course. Course availability is determined by student demand and instructor availability. Northwest-Shoals Community College reserves the right to cancel or modify any class scheduled.

Check Out  
[www.nwscc.edu](http://www.nwscc.edu)  
 for college information:

**NW-SCC OneCard**  
**Upcoming Events**  
**Holidays**  
**Club News**  
**Job Opportunities**  
**Closings**



**Tune in to Northwest-Shoals television, Comcast Channel 192 (65.109 digital tuner) for NW-SCC sports coverage.**

### Accreditation

Northwest-Shoals Community College is accredited by the Commission on Colleges of the Southern Association of Colleges and Schools to award the Associate in Arts, Associate in Science, Associate in Applied Science, and Associate in Occupational Technology degrees as well as certificates in occupational areas. Contact the Commission on Colleges at 1866 Southern Lane, Decatur, Georgia 30033-4097 or call 404-679-4501 for questions about the accreditation of Northwest-Shoals Community College.

### An Equal Employment Opportunity Institution

It is the official policy of the Alabama Postsecondary Department of Education and Northwest-Shoals Community College that no person in Alabama shall, on the grounds of race, color, disability, sex, religion, creed, national origin, or age, be excluded from participation, be denied the benefits of, or be subjected to discrimination under any program, activity, or employment.

**AUTO COLLISION REPAIR**

Section	Dept.	Number	Course Description	Instructor	Time	Days	Bldg	Rm	Hrs
<b>SHOALS CAMPUS</b>									
11101	ABR	151	SAFETY & ENVIRONMENTAL PRACTI	REID E L	08:00A 12:00P	FRIDAY	104	000	3
*****	ABR	151	SAFETY & ENVIRONMENTAL PRACTI LAB	REID E L	01:00P 02:00P	FRIDAY	104	000	0
11102	ABR	157	AUTOMOTIVE PLASTIC REPAIRS	REID E L	08:00A 12:00P	TUESDAY	104	000	3
*****	ABR	157	AUTOMOTIVE PLASTIC REPAIRS LAB	REID E L	01:00P 02:00P	TUESDAY	104	000	0
11103	ABR	223	AUTOMOTIVE MECHANICAL COMPONENTS	REID E L	08:00A 12:00P	THURSDAY	104	000	3
*****	ABR	223	AUTOMOTIVE MECHANICAL COMP. LAB	REID E L	01:00P 02:00P	THURSDAY	104	000	0
11104	ABR	261	RESTRAINT SYSTEMS	REID E L	08:00A 12:00P	WEDNESDAY	104	000	3
*****	ABR	261	RESTRAINT SYSTEMS LAB	REID E L	01:00P 02:00P	WEDNESDAY	104	000	0
11105	ABR	266	MIG WELDING ALUMINUM	REID E L	08:00A 12:00P	MONDAY	104	000	3
*****	ABR	266	MIG WELDING ALUMINUM LAB	REID E L	01:00P 02:00P	MONDAY	104	000	0

**AUTO MECHANICS****SHOALS CAMPUS**

11300	AUM	101	FUNDAMENTALS OF AUTO TECH	STAFF	08:00A 12:00P	MONDAY	104	000	3
*****	AUM	101	FUNDAMENTALS OF AUTO TECH LAB	STAFF	01:00P 02:00P	MONDAY	104	000	0
11301	AUM	110	ELECTRICAL/ELECTRONIC SYSTM I	STAFF	08:00A 12:00P	TUESDAY	104	000	3
*****	AUM	110	ELECTRICAL/ELECTRONIC SYSTM I LAB	STAFF	01:00P 02:00P	TUESDAY	104	000	0
11302	AUM	124	ENGINE REPAIR I	STAFF	08:00A 12:00P	THURSDAY	104	000	3
*****	AUM	124	ENGINE REPAIR I LAB	STAFF	01:00P 02:00P	THURSDAY	104	000	0
11303	AUM	130	DRIVE TRAIN & AXLES	STAFF	08:00A 12:00P	WED	104	000	3
*****	AUM	130	DRIVE TRAIN & AXLES LAB	STAFF	01:00P 02:00P	WED	104	000	0
11304	AUM	181	SPECIAL TOPICS	STAFF	08:00A 09:00A	FRIDAY	104	000	1
11305	AUM	182	SPECIAL TOPICS	STAFF	09:00A 12:00P	FRIDAY	104	000	2
*****	AUM	182	SPECIAL TOPICS LAB	STAFF	01:00P 02:00P	FRIDAY	104	000	0
<b>EXTENDED DAY</b>									
11351	AUM	121	BRAKING SYSTEMS	PICKLE D K	05:00P 10:00P	THURSDAY	104	000	3
11352	AUM	122	STEERING, SUSPEN & ALIGN	SPRINGER M K	05:00P 10:00P	WED	104	000	3
11353	AUM	133	MOTOR VEHICLE AIR COND	SPRINGER M K	05:00P 10:00P	MONDAY	104	000	3
11354	AUM	239	ENGINE PERFORMANCE	PICKLE D K	05:00P 10:00P	TUESDAY	104	000	3
11355	AUM	281	SPECIAL TOPICS	SPRINGER M K	05:00P 10:00P	WED	104	000	3

**AIR CONDITIONING, HEATING & REFRIGERATION****SHOALS CAMPUS**

11201	ACR	111 *1	REFRIGERATION PRINCIPLES	HALL H B	08:10A 11:00A	T & TH	102	000	3
*****	ACR	111 *1	REFRIGERATION PRINCIPLES LAB	HALL H B	11:30A 02:40P	T & TH	102	000	0
11202	ACR	113 *2	REFRIG PIPING PRACTICES	HALL H B	08:10A 11:00A	T & TH	102	000	3
*****	ACR	113 *2	REFRIG PIPING PRACTICES LAB	HALL H B	11:30A 02:40P	T & TH	102	000	0
<b>EXTENDED DAY</b>									
11250	ACR	111	REFRIGERATION PRINCIPLES	TERRY R	04:30P 07:00P	THURSDAY	102	000	3
*****	ACR	111	REFRIGERATION PRINCIPLES	TERRY R	07:30P 10:00P	THURSDAY	102	000	0
11251	ACR	113	REFRIG PIPING PRACTICES	HALL H B	04:30P 07:00P	MONDAY	102	000	3
*****	ACR	113	REFRIG PIPING PRACTICES	HALL H B	07:30P 10:00P	MONDAY	102	000	0
11252	ACR	123	HVACR ELECTRICAL COMPONE	CORSBIE R E	04:30P 07:00P	FRIDAY	102	000	3
*****	ACR	123	HVACR ELECTRICAL COMPONE LAB	CORSBIE R E	07:30P 10:00P	FRIDAY	102	000	0
11253	ACR	130	COMP ASSIS HVAC TROUBLESH	HALL H B	TBA	TBA	102	000	1
11254	ACR	181A	SPECIAL TOPICS IN A/C PAR REF.	HALL H B	04:30P 07:00P	TUESDAY	102	000	3
11255	ACR	183	SPECIAL TOPICS IN AC/REF	HALL H B	TBA	TBA	102	000	1
11256	ACR	203	COMMERCIAL REFRIGERATION	HALL H B	04:30P 07:00P	WEDNESDAY	102	000	3
*****	ACR	203	COMMERCIAL REFRIGERATION LAB	HALL H B	07:30P 10:00P	WEDNESDAY	102	000	0

\*1 CLASS MEETS FIRST TERM.

\*2 CLASS MEETS SECOND TERM.

**ACCOUNTING****SHOALS CAMPUS**

11401	ACT	141	BASIC ACCOUNTING PRINCIPL	HOGAN J P	08:00A 09:15A	M & W	112	103	3
11402	ACT	142	ADVANCED ACCOUNTING PRINC	HOGAN J P	09:30A 10:45A	M & W	112	103	3
11410	ACT	153	INDIVIDUAL INCOME TAX	HOGAN J P	11:00A 12:15P	M & W	112	103	3

**PHIL CAMPBELL CAMPUS**

31401	ACT	249	PAYROLL ACCOUNTING	HOGAN J P	TBA	TBA	TBA	TBA	3
-------	-----	-----	--------------------	-----------	-----	-----	-----	-----	---

**ANTHROPOLOGY**

Section	Dept.	Number	Course Description	Instructor	Time	Days	Bldg	Rm	Hrs
<b>SHOALS CAMPUS</b>									
15101	ANT	200	INTRO TO ANTHROPOLOGY	KING B G	11:00A 12:15P	T & TH	112	107	3
15102	ANT	230	INTRO TO ARCHAEOLOGY	KING B G	08:00A 10:45A	FRIDAY	100	110	3

**ART****SHOALS CAMPUS**

15001	ART	100	ART APPRECIATION	FREDERICK J L	02:30P 03:45P	M & W	115	101	3
15002	ART	100	ART APPRECIATION	JOHNSON D L	11:00A 12:15P	M & W	115	101	3
15005	ART	113 *4	DRAWING I	JOHNSON D L	09:30A 10:45A	M & W	115	102	3
15006	ART	114 *4	DRAWING II	JOHNSON D L	09:30A 10:45A	M & W	115	102	3
15007	ART	127 *4	THREE-DIMENSIONAL COMPOSI	CAIN J D	11:00A 12:15P	T & TH	115	102	3
15008	ART	133 *4	CERAMICS I	CAIN J D	12:45P 02:00P	T & TH	115	102	3
15009	ART	134 *4	CERAMICS II	CAIN J D	12:45P 02:00P	T & TH	115	102	3
15010	ART	173 *4, *5	PHOTOGRAPHY I	FREDERICK J L	09:30A 10:45A	M & W	115	102	3
15011	ART	174 *4, *5	PHOTOGRAPHY II	FREDERICK J L	09:30A 10:45A	M & W	115	102	3
15015	ART	299	ART PORTFOLIO	STAFF	TBA	TBA	TBA	TBA	1
<b>EXTENDED DAY</b>									
15051	ART	100	ART APPRECIATION	CAIN J D	05:30P 08:10P	WED	115	101	3

**DISTANCE EDUCATION**

25001	ART	100 *3	ART APPRECIATION	FREDERICK J L	TBA	TBA	TBA	TBA	3
25002	ART	173 *3, *5	PHOTOGRAPHY I	FREDERICK J L	TBA	TBA	TBA	TBA	3
25003	ART	203 *3	ART HISTORY I	STAFF	TBA	TBA	TBA	TBA	3
25005	ART	174 *3, *5	PHOTOGRAPHY II	FREDERICK J L	TBA	TBA	TBA	TBA	3

**PHIL CAMPBELL CAMPUS**

35001	ART	100	ART APPRECIATION	FREDERICK J L	12:45P 02:00P	T & TH	310	025	3
35002	ART	100	ART APPRECIATION	CAIN J D	02:15P 03:30P	M & W	310	025	3
35003	ART	101	ART WORKSHOP I	FREDERICK J L	TBA	TBA	TBA	TBA	3
35005	ART	127 *4	THREE-DIMENSIONAL COMPOSI	CAIN J D	11:00A 12:15P	M & W	310	026	3
35006	ART	133 *4	CERAMICS I	CAIN J D	12:45P 02:00P	M & W	310	027	3
35007	ART	134 *4	CERAMICS II	CAIN J D	12:45P 02:00P	M & W	310	027	3
35008	ART	173 *4, *5	PHOTOGRAPHY I	FREDERICK J L	09:30A 10:45A	T & TH	310	026	3
35009	ART	174 *4, *5	PHOTOGRAPHY II	FREDERICK J L	09:30A 10:45A	T & TH	310	026	3
35010	ART	102	ART WORKSHOP II	FREDERICK J L	TBA	TBA	TBA	TBA	3
35011	ART	291B	SUPER STUDY STUDIO ART I	STAFF	TBA	TBA	TBA	TBA	3
35012	ART	114	DRAWING II	FREDERICK J L	TBA	TBA	TBA	TBA	3

\*3 SEE DISTANCE EDUCATION SECTION OF SCHEDULE FOR INFORMATION ON ON-CAMPUS MEETINGS AND/OR ONLINE ORIENTATION.

\*4 ADDITIONAL LAB - TBA.

\*5 SLR CAMERAL REQUIRED.

**BIOLOGY****SHOALS CAMPUS**

15202	BIO	103A *4	PRINCIPLES OF BIOLOGY I	SMITH W C	09:30A 10:45A	M & W	121	147	4
15205	BIO	103A *4	PRINCIPLES OF BIOLOGY I	STAFF	01:00P 02:15P	T & TH	121	147	4
15206	BIO	103A *4	PRINCIPLES OF BIOLOGY I	STAFF	01:00P 02:15P	M & W	121	147	4
15207	BIO	103A *4	PRINCIPLES OF BIOLOGY I	HORTON L S	08:00A 09:15A	T & TH	121	147	4
15210	BIO	103L	PRINCIPLES OF BIOLOGY I LAB	GOODLOE D S	09:00A 11:00A	MONDAY	123	125	0
15211	BIO	103L	PRINCIPLES OF BIOLOGY I LAB	GOODLOE D S	11:00A 01:00P	MONDAY	123	125	0
15212	BIO	103L	PRINCIPLES OF BIOLOGY I LAB	GOODLOE D S	10:00A 12:00P	TUESDAY	123	125	0
15213	BIO	103L	PRINCIPLES OF BIOLOGY I LAB	GOODLOE D S	02:15P 04:15P	TUESDAY	123	125	0
15214	BIO	103L	PRINCIPLES OF BIOLOGY I LAB	GOODLOE D S	11:00A 01:00P	WED	123	125	0
15215	BIO	103L	PRINCIPLES OF BIOLOGY I LAB	GOODLOE D S	02:15P 04:15P	WED	123	125	0
15216	BIO	103L	PRINCIPLES OF BIOLOGY I LAB	GOODLOE D S	10:00A 12:00P	THURSDAY	123	125	0
15217	BIO	103L	PRINCIPLES OF BIOLOGY I LAB	GOODLOE D S	12:00P 02:00P	THURSDAY	123	125	0
15218	BIO	103L	PRINCIPLES OF BIOLOGY I LAB	GOODLOE D S	08:00A 10:00A	FRIDAY	123	125	0
15220	BIO	103L	PRINCIPLES OF BIOLOGY I LAB	GOODLOE D S	10:00A 12:00P	FRIDAY	123	125	0
15222	BIO	104	PRINCIPLES OF BIOLOGY II	HORTON L S	08:00A 08:50A	M W F	121	141	4
*****	BIO	104	PRINCIPLES OF BIOLOGY II LAB	HORTON L S	09:00A 12:00P	FRIDAY	123	130	0
15223	BIO	104	PRINCIPLES OF BIOLOGY II	HORTON L S	11:00A 12:15P	M & W	123	103	4
*****	BIO	104	PRINCIPLES OF BIOLOGY II LAB	HORTON L S	12:00P 03:00P	FRIDAY	123	130	0
15225	BIO	104	PRINCIPLES OF BIOLOGY II	HORTON L S	09:30A 10:45A	T & TH	123	109	4
*****	BIO	104	PRINCIPLES OF BIOLOGY II LAB	HORTON L S	12:45P 03:45P	TUESDAY	123	130	0
15231	BIO	201 *6	HUMAN ANATOMY & PHYSIO I	JONES R C	08:00A 09:15A	M & W	123	109	4

**BIOLOGY (cont'd)**

Section	Dept.	Number	Course Description	Instructor	Time	Days	Bldg	Rm	Hrs
****	BIO	201	HUMAN ANATOMY & PHYSIO I LAB	JONES R C	08:00A 10:00A	FRIDAY	123	124	0
15232	BIO	201 *1	HUMAN ANATOMY & PHYSIO I	PACE B D	08:00A 10:00A	M W F	123	103	4
****	BIO	201 *1	HUMAN ANATOMY & PHYSIO I LAB	PACE B D	10:15A 12:15P	M & W	123	124	0
15234	BIO	201 *6	HUMAN ANATOMY & PHYSIO I	JONES R C	11:00A 12:15P	M & W	123	109	4
****	BIO	201	HUMAN ANATOMY & PHYSIO I LAB	JONES R C	12:30P 02:30P	WED	123	124	0
15236	BIO	201	HUMAN ANATOMY & PHYSIO I	STAFF	09:30A 10:45A	T & TH	123	103	4
****	BIO	201	HUMAN ANATOMY & PHYSIO I LAB	STAFF	10:45A 12:45P	THURSDAY	123	124	0
15237	BIO	202	HUMAN ANATOMY & PHYSIO II	STAFF	12:45P 02:00P	T & TH	123	103	4
****	BIO	202	HUMAN ANATOMY & PHYSIO II LAB	STAFF	02:00P 04:00P	TUESDAY	123	124	0
15238	BIO	202	HUMAN ANATOMY & PHYSIO II	JONES R C	08:00A 09:15A	T & TH	123	109	4
****	BIO	202	HUMAN ANATOMY & PHYSIO II LAB	JONES R C	09:15A 11:15A	TUESDAY	123	124	0
15239	BIO	202	HUMAN ANATOMY & PHYSIO II	STAFF	08:00A 01:00P	SATURDAY	123	109	4
15240	BIO	202 *2	HUMAN ANATOMY & PHYSIO II	PACE B D	08:00A 10:00A	M W F	123	103	4
****	BIO	202 *2	HUMAN ANATOMY & PHYSIO II LAB	PACE B D	10:15A 12:15P	M & W	123	124	0
15241	BIO	220	GENERAL MICROBIOLOGY	SMITH W C	09:30A 10:45A	T & TH	121	147	4
****	BIO	220	GENERAL MICROBIOLOGY LAB	SMITH W C	10:45A 12:30P	T & TH	123	130	0

**EXTENDED DAY**

15253	BIO	103	PRINCIPLES OF BIOLOGY I	STAFF	05:00P 07:30P	M & W	123	109	4
15257	BIO	104	PRINCIPLES OF BIOLOGY II	STAFF	05:00P 07:45P	M & W	123	103	4
15258	BIO	201	HUMAN ANATOMY & PHYSIO I	STAFF	07:30P 10:00P	T & TH	123	109	4
15260	BIO	202	HUMAN ANATOMY & PHYSIO II	STAFF	07:30P 10:00P	T & W	121	147	4
15262	BIO	202	HUMAN ANATOMY & PHYSIO II	STAFF	05:00P 07:30P	T & TH	123	109	4
15264	BIO	220	GENERAL MICROBIOLOGY	SMITH W C	05:00P 08:15P	T & TH	123	103	4

**DISTANCE EDUCATION**

25202	BIO	103A *3, *4	PRINCIPLES OF BIOLOGY I	JONES R C	TBA	TBA	TBA	TBA	4
25204	BIO	104 *3, *5	PRINCIPLES OF BIOLOGY II	HORTON L S	TBA	TBA	TBA	TBA	4

**PHIL CAMPBELL CAMPUS**

35201	BIO	103	PRINCIPLES OF BIOLOGY I	PACE B D	08:00A 09:15A	T & TH	303	009	4
****	BIO	103	PRINCIPLES OF BIOLOGY I LAB	PACE B D	09:30A 11:30A	THURSDAY	303	015	0
35204	BIO	103	PRINCIPLES OF BIOLOGY I	ALLS J M	09:30A 10:45A	M & W	303	011	4
****	BIO	103	PRINCIPLES OF BIOLOGY I LAB	ALLS J M	10:00A 12:00P	FRIDAY	303	011	0
35215	BIO	104	PRINCIPLES OF BIOLOGY II	PACE B D	12:45P 02:00P	T & TH	303	009	4
****	BIO	104	PRINCIPLES OF BIOLOGY II LAB	PACE B D	09:30A 12:30P	TUESDAY	303	015	0
35216	BIO	104	PRINCIPLES OF BIOLOGY II	STAFF	11:00A 12:15P	M & W	303	009	4
****	BIO	104	PRINCIPLES OF BIOLOGY II LAB	STAFF	12:45P 03:45P	WED	307	031	0
35218	BIO	201	HUMAN ANATOMY & PHYSIO I	STAFF	12:45P 02:00P	M & W	303	011	4
****	BIO	201	HUMAN ANATOMY & PHYSIO I LAB	STAFF	02:00P 04:00P	WED	303	011	0
35220	BIO	201	HUMAN ANATOMY & PHYSIO I	ALLS J M	09:30A 12:00P	T & TH	303	011	4
35221	BIO	202	HUMAN ANATOMY & PHYSIO II	STAFF	08:00A 10:30A	M & W	303	017	4
35223	BIO	202	HUMAN ANATOMY & PHYSIO II	ALLS J M	07:30A 08:45A	M & W	303	011	4
****	BIO	202	HUMAN ANATOMY & PHYSIO II LAB	ALLS J M	08:00A 10:00A	FRIDAY	303	011	0
35230	BIO	220	GENERAL MICROBIOLOGY	SMITH W C	02:30P 05:30P	M & W	303	017	4

**EXTENDED DAY**

35253	BIO	201	HUMAN ANATOMY & PHYSIO I	ALLS J M	05:30P 08:00P	T & TH	303	011	4
-------	-----	-----	--------------------------	----------	---------------	--------	-----	-----	---

**ROGERSVILLE****EXTENDED DAY**

85251	BIO	103	PRINCIPLES OF BIOLOGY I	CREEL M J	05:00P 10:00P	MONDAY	800	000	4
-------	-----	-----	-------------------------	-----------	---------------	--------	-----	-----	---

\*1 CLASS MEETS FIRST TERM.

\*2 CLASS MEETS SECOND TERM.

\*3 SEE DISTANCE EDUCATION SECTION OF SCHEDULE FOR INFORMATION ON ON-CAMPUS MEETINGS AND/OR ONLINE ORIENTATION.

\*4 CO-REQUISITE OF BIO103L. STUDENTS MAY REGISTER FOR ANY OF THE BIO103L SECTIONS OFFERED.

\*5 STUDENT MUST ARRANGE FOR AN ON-CAMPUS LAB TIME WITH LANA HORTON.

\*6 THIS COURSE MAY ALSO BE TAKEN FOR HONORS CREDIT.

HONOR STUDENTS ARE REQUIRED TO TAKE IDS 115 FORUM (1 SEMESTER HOUR).

**BASIC STUDY SKILLS****SHOALS CAMPUS**

12611	BSS	115 *1	SUCCESS AND STUDY SKILLS	WAIDE L O	09:00A 10:00A	M & F	100	108	1
12616	BSS	115 *2	SUCCESS AND STUDY SKILLS	WAIDE L O	09:00A 10:00A	M & F	100	108	1
12612	BSS	120 *1	CAREER ASSESSMENT	WAIDE L O	10:00A 11:00A	M & F	100	108	1
12617	BSS	120 *2	CAREER ASSESSMENT	WAIDE L O	10:00A 11:00A	M & F	100	108	1
12613	BSS	121 *1	MANAGING A TEAM	WAIDE L O	11:00A 12:00P	M & F	100	108	1
12618	BSS	121 *2	MANAGING A TEAM	WAIDE L O	11:00A 12:00P	M & F	100	108	1
12614	BSS	220 *1	PROFESSIONAL TRANSITION	WAIDE L O	09:00A 12:00P	WED	100	108	1
12619	BSS	220 *2	PROFESSIONAL TRANSITION	WAIDE L O	09:00A 12:00P	WED	100	108	1

\*1 CLASS MEETS FIRST TERM.

\*2 CLASS MEETS SECOND TERM.

**BUSINESS**

Section	Dept.	Number	Course Description	Instructor	Time	Days	Bldg	Rm	Hrs
<b>SHOALS CAMPUS</b>									
15301	BUS	215	BUSINESS COMMUNICATION	MCCLINTON L T	12:45P 02:00P	M & W	112	106	3
15303	BUS	241	PRINCIPLES ACCOUNTING I	HOGAN J P	08:00A 09:15A	T & TH	112	103	3
15304	BUS	242	PRINCIPLES OF ACCOUNT. II	HOGAN J P	09:30A 10:45A	T & TH	112	103	3
15305	BUS	263	LEGAL & SOCIAL ENV OF BUS	STAFF	08:00A 09:15A	M & W	112	107	3
15306	BUS	271	BUSINESS STATISTICS I	JAMES J H	12:45P 02:00P	M & W	112	107	3
<b>EXTENDED DAY</b>									
15351	BUS	242	PRINCIPLES OF ACCOUNT. II	HOGAN J P	05:30P 06:45P	T & TH	112	103	3
15353	BUS	275	PRINCIPLES OF MANAGEMENT	MCCLINTON L T	05:30P 06:45P	M & W	112	107	3
15354	BUS	279	SMALL BUSINESS MANAGEMENT	MCCLINTON L T	07:00P 08:15P	T & TH	112	107	3
15355	BUS	285	PRINCIPLES OF MARKETING	STAFF	08:30P 09:45P	T & TH	112	107	3
<b>DISTANCE EDUCATION</b>									
25301	BUS	271 *3	BUSINESS STATISTICS I	JAMES J H	TBA	TBA	TBA	TBA	3
<b>PHIL CAMPBELL CAMPUS</b>									
35301	BUS	241	PRINCIPLES ACCOUNTING I	JAMES J H	09:30A 10:45A	M & W	302	309	3
35302	BUS	242	PRINCIPLES OF ACCOUNT. II	JAMES J H	11:00A 12:15P	T & TH	302	309	3
35303	BUS	263	LEGAL & SOCIAL ENV OF BUS	PETERS P L	12:45P 02:00P	T & TH	302	309	3
35304	BUS	271	BUSINESS STATISTICS I	JAMES J H	09:30A 10:45A	T & TH	302	309	3
35305	BUS	275	PRINCIPLES OF MANAGEMENT	PETERS P L	02:15P 03:30P	T & TH	302	108	3
<b>EXTENDED DAY</b>									
35350	BUS	285	PRINCIPLES OF MARKETING	STAFF	07:00P 08:15P	T & TH	302	309	3
35351	BUS	242	PRINCIPLES OF ACCOUNT. II	WILLIAMS M D	08:30P 09:45P	M & W	302	309	3

\*3 SEE DISTANCE EDUCATION SECTION OF SCHEDULE FOR INFORMATION ON ON-CAMPUS MEETINGS AND/OR ONLINE ORIENTATION.

**CARPENTRY/CABINETMAKING**

<b>SHOALS CAMPUS</b>									
11504	CAR	112 *1	FLOORS, WALLS, SITE PREP	HARDY C D	08:00A 11:00A	T & TH	109	000	3
11505	CAR	113 *1	FLOORS, WALLS, SITE PREP LAB	HARDY C D	08:00A 11:00A	M W F	109	000	3
*****	CAR	113 *1	FLOORS LAB	HARDY C D	12:00P 01:30P	M & W	109	000	0
*****	CAR	113 *1	FLOORS LAB	HARDY C D	11:30A 01:30P	T & TH	109	000	0
11506	CAR	131 *2	ROOF & CEILING SYSTEMS	HARDY C D	08:00A 11:00A	T & TH	109	000	3
11507	CAR	133 *2	ROOF & CEILING SYS LAB	HARDY C D	08:00A 11:30A	M W F	109	000	3
*****	CAR	133 *2	ROOF & CEILING SYS LAB	HARDY C D	12:00P 01:30P	M & W	109	000	0
*****	CAR	133 *2	ROOF & CEILING SYS LAB	HARDY C D	11:30A 01:30P	T & TH	109	000	0
11508	CAR	291	COOPERATIVE ED IN CARPENT	HACKWORTH J R	TBA	TBA	TBA	TBA	3
<b>EXTENDED DAY</b>									
11551	CAB	101	INTRO TO CABINETMAKING	HARDY C D	04:00P 09:00P	MONDAY	109	000	3
11552	CAB	102	INTRODUCTION TO LUMBER	HACKWORTH J R	04:00P 09:00P	THURSDAY	109	000	3

\*1 CLASS MEETS FIRST TERM.

\*2 CLASS MEETS SECOND TERM.

**CHILD DEVELOPMENT**

<b>SHOALS CAMPUS</b>									
14001	CHD	201	CHILD GROWTH & DEV PRINCI	DURDUNJI D F	09:30A 10:45A	T & TH	124	102	3
14002	CHD	203	CHILDREN'S LIT & LANG DEV	PACE D W	09:30A 11:20A	M & W	124	102	3
14003	CHD	208	ADM OF CHILD DEV PROGRAMS	DURDUNJI D F	08:00A 09:15A	T & TH	124	102	3
14004	CHD	209	INFANT & TODDLER ED PROG	DURDUNJI D F	08:00A 09:15A	M & W	124	102	3
14005	CHD	215A	SUPERVISED PRACTICAL EXP	DURDUNJI D F	10:00A 10:30A	FRIDAY	107	000	1
14006	CHD	215B	SUPERVISED PRACTICAL EXP	DURDUNJI D F	10:00A 10:30A	FRIDAY	107	000	2
14007	CHD	215C	SUPERVISED PRACTICAL EXP	DURDUNJI D F	10:00A 10:30A	FRIDAY	107	000	3
<b>EXTENDED DAY</b>									
14051	CHD	202 *5, *6	CHILDREN'S CREATIVE EXP	COOK	07:00P 08:50P	M & W	121	141	3
14052	CHD	204 *4, *5, *6	METHODS/MAT FOR TEACHING CHD	COOK	05:30P 06:55P	M & W	121	141	3
14053	CHD	215A	SUPERVISED PRACTICAL EXP	DURDUNJI D F	05:00P 05:30P	MONDAY	121	141	1
14054	CHD	215B	SUPERVISED PRACTICAL EXP	DURDUNJI D F	05:00P 05:30P	MONDAY	121	141	2
14055	CHD	215C	SUPERVISED PRACTICAL EXP	DURDUNJI D F	05:00P 05:30P	MONDAY	121	141	3
<b>DISTANCE EDUCATION</b>									
24001	CHD	205 *3	PROGRAM PLAN FOR ED YC	BURNLEY	TBA	TBA	TBA	TBA	3

**CHILD DEVELOPMENT (cont'd)**

Section	Dept.	Number	Course Description	Instructor	Time	Days	Bldg	Rm	Hrs
<b>PHIL CAMPBELL CAMPUS</b>									
<b>EXTENDED DAY</b>									
34051	CHD	202 *5, *6	CHILDREN'S CREATIVE EXP	COOK	07:00P 08:50P	M & W	306	013	3
34052	CHD	204 *4, *5, *6	METHODS/MAT FOR TEACHING CHD	COOK	05:30P 06:55P	M & W	306	013	3
34053	CHD	215A	SUPERVISED PRACTICAL EXP	DURDUNJI D F	05:00P 05:30P	MONDAY	306	013	1
34054	CHD	215B	SUPERVISED PRACTICAL EXP	DURDUNJI D F	05:00P 05:30P	MONDAY	306	013	2
34055	CHD	215C	SUPERVISED PRACTICAL EXP	DURDUNJI D F	05:00P 05:30P	MONDAY	306	013	3
*3 SEE DISTANCE EDUCATION SECTION OF SCHEDULE FOR INFORMATION ON ON-CAMPUS MEETINGS AND/OR ONLINE ORIENTATION.									
*4 THE LAB PORTION OF THIS CLASS WILL BE TBA.									
*5 STUDENTS WHO ENROLL IN THIS COURSE WILL BE REQUIRED TO ATTEND CLASSES AS A GROUP ON THE SHOALS AND PHIL CAMPBELL CAMPUSES RESPECTFULLY AT LEAST 5 TIMES DURING THE SEMESTER.									
*6 THIS IS A VIDEOCONFERENCE COURSE.									

**CHEMISTRY****SHOALS CAMPUS**

15401	CHM	105	INTRO TO ORGANIC CHEMISTR	SOCKWELL S C	11:00A 12:15P	M & W	123	101	4
*****	CHM	105	INTRO TO ORGANIC CHEMISTR LAB	SOCKWELL S C	11:30A 02:30P	FRIDAY	123	102	0
15402	CHM	111	COLLEGE CHEMISTRY I	SOCKWELL S C	11:00A 12:15P	T & TH	123	101	4
*****	CHM	111	COLLEGE CHEMISTRY I LAB	SOCKWELL S C	12:30P 03:30P	THURSDAY	123	102	0
15404	CHM	112	COLLEGE CHEMISTRY II	SOCKWELL S C	08:00A 09:15A	M & W	123	101	4
*****	CHM	112	COLLEGE CHEMISTRY II LAB	SOCKWELL S C	08:00A 11:00A	FRIDAY	123	102	0
15406	CHM	112	COLLEGE CHEMISTRY II	SOCKWELL S C	08:00A 10:55A	T & TH	123	101	4
15408	CHM	222	ORGANIC CHEMISTRY II	CHORON J S	12:45P 03:40P	T & TH	123	101	4
<b>EXTENDED DAY</b>									
15450	CHM	105	INTRO TO ORGANIC CHEMISTR	STAFF	05:00P 08:00P	M & W	123	101	4
15452	CHM	112	COLLEGE CHEMISTRY II	STAFF	05:00P 08:00P	T & TH	123	101	4

**PHIL CAMPBELL CAMPUS**

35405	CHM	112	COLLEGE CHEMISTRY II	MURPHY M D	11:00A 12:15P	T & TH	303	009	4
*****	CHM	112	COLLEGE CHEMISTRY II LAB	MURPHY M D	12:45P 03:45P	THURSDAY	303	010	0

**COMPUTER SCIENCE****SHOALS CAMPUS**

15501	CIS	146	MICROCOMPUTER APPLICATION	ROBERSON T D	08:00A 09:15A	M & W	112	112	3
15502	CIS	146	MICROCOMPUTER APPLICATION	ROBERSON T D	09:30A 10:45A	M & W	112	112	3
15503	CIS	146	MICROCOMPUTER APPLICATION	ROBERSON T D	12:45P 02:00P	M & W	112	112	3
15505	CIS	147	ADV MICRO APPLICATIONS	STAFF	02:15P 03:30P	M & W	112	112	3
15506	CIS	191	INTRO TO COMPUTER SCIENCE	CHANDLER S B	11:00A 12:15P	M & W	112	112	3
15507	CIS	110 *5	INTRO TO COMP LOGIC & PRO	PETERS P L	09:30A 10:45A	M & W	112	113	3
15509	CIS	212	VISUAL BASIC	CHANDLER S B	03:45P 05:00P	T & TH	112	112	3
15508	CIS	213	ADV VISUAL BASIC PROG	CHANDLER S B	02:15P 03:30P	M & W	112	113	3
15510	CIS	251	C ++ Programming	CHANDLER S B	03:45P 05:00P	M & W	112	112	3
15511	CIS	268	SOFTWARE SUPPORT	CHANDLER S B	02:15P 03:30P	T & TH	112	104	3
15515	CIS	284	CIS INTERNSHIP	STAFF	TBA	TBA	TBA	TBA	3
<b>EXTENDED DAY</b>									
15551	CIS	146	MICROCOMPUTER APPLICATION	GRIGSBY L J	05:30P 06:45P	M & W	112	112	3
15552	CIS	146	MICROCOMPUTER APPLICATION	MURPHY M S	07:00P 08:15P	T & TH	112	112	3
15553	CIS	147	ADV MICROCOMPUTER APPLICATION	GRIGSBY L J	07:00P 08:15P	M & W	112	112	3
15554	CIS	209	ADV WEB DEVELOPMENT	CHANDLER S B	05:30P 06:45P	T & TH	112	112	3

**DISTANCE EDUCATION**

25500	CIS	146 *3, *4	MICROCOMPUTER APPLICATION	ROBERSON T D	TBA	TBA	TBA	TBA	3
25501	CIS	146 *3, *4	MICROCOMPUTER APPLICATION	ROBERSON T D	TBA	TBA	TBA	TBA	3
25502	CIS	147 *3, *4	ADV MICROCOMPUTER APPLICATION	ROBERSON T D	TBA	TBA	TBA	TBA	3

**PHIL CAMPBELL CAMPUS**

35500	CIS	110 *5	INTRO TO COMP LOGIC & PRO	PETERS P L	09:30A 10:45A	M & W	302	108	3
35501	CIS	146	MICROCOMPUTER APPLICATION	JAMES J H	08:00A 09:15A	M & W	302	108	3
35502	CIS	146	MICROCOMPUTER APPLICATION	JAMES J H	12:45P 02:00P	T & TH	302	108	3
35504	CIS	208	INTER WEB DEVELOPMENT	PETERS P L	12:45P 02:00P	M & W	302	108	3
35508	CIS	255	JAVA PROGRAMMING	PETERS P L	02:15P 03:30P	M & W	302	108	3

<b>EXTENDED DAY</b>									
35551	CIS	146	MICROCOMPUTER APPLICATION	PETERS P L	05:30P 06:45P	T & TH	302	108	3
*3 SEE DISTANCE EDUCATION SECTION OF SCHEDULE FOR INFORMATION ON ON-CAMPUS MEETINGS AND/OR ONLINE ORIENTATION.									
*4 IN ORDER TO COMPLETE CIS 146 AND CIS 147 IN A COMPLETELY DISTANCE FORMAT, STUDENT MUST HAVE MICROSOFT OFFICE 2003 SOFTWARE.									
*5 THIS COUSE IS BASED ON USE OF TELECONFERENCE EQUIPMENT.									

## COMMUNICATION SKILLS

Section	Dept.	Number	Course Description	Instructor	Time	Days	Bldg	Rm	Hrs
<b>SHOALS CAMPUS</b>									
14401	COM	100	INTRODUCTORY TECHNICAL ENG I	STAFF	12:45P 02:00P	M & W	110	104	3
14402	COM	100	INTRODUCTORY TECHNICAL ENG I	CURTIS V L	02:15P 03:30P	M & W	110	104	3

## COSMETOLOGY INSTRUCTOR TRAINING

### SHOALS CAMPUS

11730	CIT	211	TEACHING & CURRICULUM DEV	BANKSTON C M	08:00A 09:15A	M & W	110	127	3
11731	CIT	212	TEACHER MENTORSHIP	BANKSTON C M	09:15A 12:15P	THURSDAY	110	127	3
*****	CIT	212	TEACHER MENTORSHIP LAB	BANKSTON C M	08:00A 12:30P	FRIDAY	110	127	0
11732	CIT	213	LESSON PLAN DEVELOPMENT	BANKSTON C M	TBA	TBA	TBA	TBA	3
11734	CIT	221	LESSON PLAN IMPLEMENTATIO	BANKSTON C M	TBA	TBA	TBA	TBA	3
11735	CIT	222	INSTRUCTION MAT & METHODS	BANKSTON C M	TBA	TBA	TBA	TBA	3
11736	CIT	223	INSTRUC MAT & METHODS APP	BANKSTON C M	TBA	TBA	TBA	TBA	3

## COSMETOLOGY

### SHOALS CAMPUS

11700	COS	111	COSMETOLOGY SCIENCE & ART	BANKSTON C M	01:00P 02:15P	M & W	110	127	3
11701	COS	112	COSMETOLOGY SCIENCE LAB	BANKSTON C M	08:00A 12:30P	M & W	110	127	3
11702	COS	113	CHEMICAL METHODOLOGY	BANKSTON C M	08:00A 12:30P	TUESDAY	110	127	3
*****	COS	113	CHEMICAL METHODOLOGY LAB	BANKSTON C M	01:00P 02:30P	TUESDAY	110	127	0
11703	COS	114	CHEMICAL METHODOLOGY LAB	BANKSTON C M	08:00A 12:30P	T TH & F	110	127	3
11704	COS	121	COLORIMETRY	SHARP T D	01:00P 02:15P	T & TH	110	127	3
11705	COS	122	COLORIMETRY APPLICATIONS	SHARP T D	08:00A 12:30P	T & TH	110	127	3
11706	COS	125	CAREER & PERSONAL DEV	BANKSTON C M	07:30A 12:30P	MONDAY	110	127	3
*****	COS	125	CAREER & PERSONAL DEV LAB	BANKSTON C M	01:00P 02:30P	MONDAY	110	127	0
11707	COS	181	SPECIAL TOPICS	SHARP T D	08:00A 12:30P	FRIDAY	110	127	3
11709	COS	143	HAIR DESIGNS	STANFORD L M	08:00A 12:30P	MONDAY	110	127	3
*****	COS	143	HAIR DESIGNS LAB	STANDFORD L M	01:00P 02:30P	MONDAY	110	127	0
11710	COS	164	FACIAL MACHINE	WEST R G	08:00A 12:30P	TH & F	110	108	3
11713	COS	114	CHEMICAL METHODOLOGY LAB	SHARP T D	TBA	TBA	TBA	TBA	3
11715	COS	191	CO-OP	BANKSTON C M	TBA	TBA	TBA	TBA	1
11717	COS	151	NAIL CARE	BANKSTON C M	01:00P 02:15P	T & W	110	127	3
11721	COS	152	NAIL CARE APPLICATIONS	BANKSTON C M	08:00A 12:30P	T & W	110	127	3
11722	COS	167	STATE BOARD REVIEW	BANKSTON C M	TBA	TBA	TBA	TBA	3
11723	COS	162	SPECIAL TOPICS IN COSMETO	BANKSTON C M	TBA	TBA	TBA	TBA	3
11728	COS	165	RELATED SUB ESTHETICIANS	SHARP T D	08:00A 12:30P	M & W	110	108	3

### DISTANCE EDUCATION

21713	COS	131 *3	AESTHETICS	STAFF	TBA	TBA	TBA	TBA	3
21746	COS	168 *3	BACTERIOLOGY & SANITATION	STAFF	TBA	TBA	TBA	TBA	3

\*3 SEE DISTANCE EDUCATION SECTION OF SCHEDULE FOR INFORMATION ON ON-CAMPUS MEETINGS AND/OR ONLINE ORIENTATION.

## CRIMINAL JUSTICE

### SHOALS CAMPUS

15701	CRJ	110	INTRO TO LAW ENFORCEMENT	BOWEN E R	09:30A 10:45A	M & W	120	126	3
15702	CRJ	140	CRIMINAL LAW & PROCEDURE	BOWEN E R	11:00A 12:15P	M & W	120	126	3
15703	CRJ	208	INTRODUCTION TO CRIMINOLO	BOWEN E R	08:00A 10:45A	FRIDAY	120	126	3
15704	CRJ	280B	INTERNSHIP IN CRIMINAL JUSTICE	BOWEN E R	TBA	TBA	TBA	TBA	3

#### EXTENDED DAY

15751	CRJ	110	INTRO TO LAW ENFORCEMENT	IRWIN C J	07:00P 08:15P	T & TH	120	126	3
15752	CRJ	140	CRIMINAL LAW & PROCEDURE	ENGELTHALER J R	05:30P 06:45P	T & TH	120	126	3

### DISTANCE EDUCATION

25701	CRJ	208 *3	INTRO TO CRIMINOLOGY	BOWEN E R	TBA	TBA	TBA	TBA	3
-------	-----	--------	----------------------	-----------	-----	-----	-----	-----	---

### PHIL CAMPBELL CAMPUS

35701	CRJ	110	INTRO TO LAW ENFORCEMENT	BOWEN E R	09:30A 10:45A	T & TH	302	307	3
35702	CRJ	140	CRIMINAL LAW & PROCEDURE	BOWEN E R	11:00A 12:15P	T & TH	302	307	3
35703	CRJ	280B	INTERNSHIP IN CRIMINAL JUSTICE	BOWEN E R	TBA	TBA	TBA	TBA	3

\*3 SEE DISTANCE EDUCATION SECTION OF SCHEDULE FOR INFORMATION ON ON-CAMPUS MEETINGS AND/OR ONLINE ORIENTATION.

## DESIGN ENGINEERING TECHNOLOGY

Section	Dept.	Number	Course Description	Instructor	Time	Days	Bldg	Rm	Hrs
<b>SHOALS CAMPUS</b>									
11911	DDT	104 *4	BASIC COMPUTER AIDED DRAFTING	HUBKA M H	01:00P 04:00P	MONDAY	105	105	3
11912	DDT	111 *1	FUND OF DRAFTING & DESIGN	RICE A O	11:00A 04:00P	M & W	105	106	3
11913	DDT	122	ADVANCED TECHNICAL DRAWIN	RICE A O	08:00A 12:30P	TUESDAY	105	106	3
11914	DDT	124 *2	BASIC TECHNICAL DRAWING	RICE A O	11:00A 04:00P	M & W	105	106	3
11915	DDT	127	INTER COMPUTER AIDED D&D	HUBKA M H	08:00A 12:30P	FRIDAY	105	105	3
11916	DDT	134	DESCRIPTIVE GEOMETRY	RICE A O	08:00A 12:30P	THURSDAY	105	106	3
11917	DDT	211 *4	INTER. MACHINE DRAFTING	HUBKA M H	01:00P 04:00P	WED	105	105	3
11918	DDT	231	ADVANCED CAD	HUBKA M H	08:00A 12:30P	MONDAY	105	105	3
11919	DDT	236	DESIGN PROJECT	HUBKA M H	08:00A 12:30P	WED	105	105	3
<b>EXTENDED DAY</b>									
11951	DDT	104	BASIC COMPUTER AIDED DRAFTING LAB	HUMKA M H	05:00P 10:00P	WED	105	105	0
11952	DDT	122	ADVANCED TECHNICAL DRAWIN	RICE A O	05:00P 10:00P	TUESDAY	105	106	3
11953	DDT	134	DESCRIPTIVE GEOMETRY	RICE A O	05:00P 10:00P	THURSDAY	105	106	3
11954	DDT	211	INTER. MACHINE DRAFTING	RICE A O	05:00P 10:00P	MONDAY	105	106	3
11955	DDT	236	DESIGN PROJECT	HUBKA M H	05:00P 10:00P	TUESDAY	105	105	3
<b>DISTANCE EDUCATION</b>									
21911	DDT	117 *3	MANUFACTURING PROCESSES	RICE A O	TBA	TBA	105	000	3

\*1 CLASS MEETS FIRST TERM.

\*2 CLASS MEETS SECOND TERM.

\*3 SEE DISTANCE EDUCATION SECTION OF SCHEDULE FOR INFORMATION ON ON-CAMPUS MEETINGS AND/OR ONLINE ORIENTATION.

\*4 REQUIRES ADDITIONAL 1-1/2 HRS OF LAB PER WEEK - TBA.

## ECONOMICS

<b>SHOALS CAMPUS</b>									
15801	ECO	231 *4	PRIN OF MACROECONOMICS	BALTES J T	11:00A 12:15P	T & TH	112	107	3
15802	ECO	232 *4	PRIN OF MICROECONOMICS	BALTES J T	12:45P 02:00P	T & TH	112	106	3
<b>EXTENDED DAY</b>									
15851	ECO	232	PRIN OF MICROECONOMICS	BALTES J T	05:30P 06:45P	T & TH	112	106	3
<b>DISTANCE EDUCATION</b>									
25801	ECO	231 *3	PRIN OF MACROECONOMICS	BALTES J T	TBA	TBA	TBA	TBA	3
<b>PHIL CAMPBELL CAMPUS</b>									
35802	ECO	232	PRIN OF MICROECONOMICS	BALTES J T	01:00P 02:15P	M & W	303	009	3

\*3 SEE DISTANCE EDUCATION SECTION OF SCHEDULE FOR INFORMATION ON ON-CAMPUS MEETINGS AND/OR ONLINE ORIENTATION.

\*4 THIS COURSE MAY ALSO BE TAKEN FOR HONORS CREDIT.

HONOR STUDENTS ARE REQUIRED TO TAKE IDS 115 FORUM (1 SEMESTER HOUR).

## ELECTRICAL TECHNOLOGY

<b>SHOALS CAMPUS</b>									
12002	ELT	115	RESIDENTIAL WIRING METHOD II	BONNER J W	08:00A 11:00A	M & W	102	000	3
12003	ELT	119	CONCEPTS OF SOLID STATE ELECT	BONNER J W	08:00A 11:00A	T & TH	102	000	5
****	ELT	119	CONCEPTS OF SOLID STATE ELECT LAB	BONNER J W	12:00P 03:00P	T & TH	102	000	0
12006	ELT	232	PROGRAMMABLE CONTROLS II	BONNER J W	12:00P 03:00P	M & W	102	000	3
<b>EXTENDED DAY</b>									
12051	ELT	112	CONCEPTS OF ALTERNATING CURRET	ROBISON H J	05:00P 07:00P	T & TH	102	000	5
*****	ELT	112	CONCEPTS OF ALTERNATIN CURRET LAB	ROBINSON H J	07:30P 10:00P	T & TH	102	000	0
12052	ELT	122	ADVANCED AC & DC MACHINES	STAFF	07:30P 10:30P	M & W	102	000	3
12053	ELT	212	MOTOR CONTROL II	STAFF	04:30P 07:30P	M & W	102	000	3

### 3 Ways to Meet New Student Orientation Classes:

#### One Time Only: January 4, 2008

8:00 a.m.-12:00 p.m. or 5:00 p.m.-9:00 p.m. / Phil Campbell and Shoals Campuses

#### Second Mini-Term: March 3-April 30, 2008

12:30 p.m.-1:20 p.m. / Tuesdays & Thursdays / Shoals Campus

#### Distance Education Course

See Main Section of Class Schedule for Details

**ELECTRONICS TECHNOLOGY**

Section	Dept.	Number	Course Description	Instructor	Time	Days	Bldg	Rm	Hrs
<b>SHOALS CAMPUS</b>									
12105	ILT	106	CONCEPTS OF DIRECT CURRENT LAB	MCGOUYRK J S	09:30A 12:30P	M & W	103	113	5
*****	ILT	106	CONCEPTS OF DIRECT CURRENT	MCGOUYRK J S	01:00P 03:00P	M & W	103	114	0
12108	ILT	107	CONCEPTS OF ALTERNATING CURRET	HARRISON W S	08:00A 12:30P	M & W	103	101	5
12117	ILT	125	DIGITAL COMMUNICATIONS	HARRISON W S	08:00A 09:30A	T & TH	103	101	3
12118	ILT	126	DIGITAL COMMUNICATION LAB	HARRISON W S	09:30A 12:30P	T & TH	103	111	2
12120	ILT	129 *1	PC HARDWARE	HARRISON W S	01:00P 03:30P	M T W TH	103	112	3
12121	ILT	130 *2	PC SOFTWARE INSTAL & MAIN	HARRISON W S	01:00P 03:30P	M T W TH	103	112	3
12124	ILT	169	HYDRAULICS/PNEUMATICS	MCGOUYRK J S	08:00A 12:00P	FRIDAY	103	114	3
12128	ILT	174	CIRCUIT FABRICATION	HARRISON W S	01:00P 03:00P	FRIDAY	103	101	1
12132	ILT	196	PROGRAMMABLE CONTROL II	MCGOUYRK J S	09:30A 12:00P	T & TH	103	114	3
12135	ILT	205	MICROPROCESSORS	MCGOUYRK J S	08:00A 09:30A	M & W	103	114	3
12136	ILT	206	MICROPROCESSORS LAB	MCGOUYRK J S	09:30A 12:30P	M & W	103	113	2
<b>EXTENDED DAY</b>									
12151	ILT	101	SURVEY OF ELECTRONICS	REAVES R G	08:30P 10:00P	M & W	103	111	3
12155	ILT	107	CONCEPTS OF ALTERNATING CURRET	REAVES R G	04:00P 08:30P	M & W	103	111	5
12163	ILT	133	ELECTRONIC DRAFTING	REAVES R G	TBA	TBA	TBA	TBA	1
12165	ILT	194	PROGRAMMABLE LOGIC CONTROL I	REAVES R G	05:00P 10:00P	FRIDAY	103	111	3
12171	ILT	267	RF COMMUNICATIONS	REAVES R G	05:00P 06:30P	T & TH	103	111	3
12172	ILT	268	RF COMMUNICATIONS LAB	REAVES R G	06:30P 09:30P	T & TH	103	101	2
12185	ILT	271	INDEPENDENT STUDY	STAFF	TBA	TBA	103	101	1
12186	ILT	274	INDEPENDENT STUDY	STAFF	TBA	TBA	103	101	3

\*1 CLASS MEETS FIRST TERM.

\*2 CLASS MEETS SECOND TERM.

**EMERGENCY MEDICAL PARAMEDIC****SHOALS CAMPUS**

13821	EMP	189	APPLIED A&P FOR THE PARAM	SIMPSON M A	TBA	TBA	TBA	TBA	4
13822	EMP	191	PARAMEDIC PREPARATORY	OYEN T D	08:00A 10:00A	MONDAY	122	160	2
13823	EMP	192	PARAMEDIC OPERATIONS	OYEN T D	10:00A 02:00P	MONDAY	122	160	3
13827	EMP	199	CARDIOVASCULAR ELECTROPHY	BARNES S A	08:00A 12:00P	WED	122	160	3
13829	EMP	204	TRANSITION TO PARAMED PRA	OYEN T D	03:00P 07:00P	WED	122	168	3
<b>EXTENDED DAY</b>									
13851	EMP	191	PARAMEDIC PREPARATORY	BARNES S A	05:00P 07:00P	WED	122	168	2
13852	EMP	192	PARAMEDIC OPERATIONS	BARNES S A	07:00P 11:00P	WED	122	160	3
13853	EMP	193	PATIENT ASSESSMENT & MGMT	BARNES S A	07:00P 11:00P	TUESDAY	122	160	3
13854	EMP	194	PARAMEDIC GEN PHARMACOLOG	SIMPSON M A	04:00P 07:00P	TUESDAY	122	160	2
13855	EMP	198	MEDICAL PATIENT MGMT I	SIMPSON M A	03:30P 07:30P	THURSDAY	122	160	3
13857	EMP	200	MEDICAL PATIENT MGMT II	SIMPSON M A	07:30P 11:30P	THURSDAY	122	160	6
13862	EMP	205	PARAMED TERMINAL COMPETEN	STAFF	07:00P 11:00P	WED	122	168	2
13863	EMP	206	PARAMEDIC FIELD RECEPTORS	OYEN T D	TBA	TBA	122	000	6
13864	EMP	207	PARAMEDIC TEAM LEADER PRE	OYEN T D	TBA	TBA	122	000	1

**EMERGENCY MEDICAL SERVICES****SHOALS CAMPUS**

13801	EMS	100 *4	CARDIOPULMONARY RESUS I	STAFF	08:00A 04:00P	SATURDAY	122	160	1
13802	EMS	100 *5	CARDIOPULMONARY RESUS I	STAFF	08:00A 04:00P	SATURDAY	122	160	1
13803	EMS	100 *6	CARDIOPULMONARY RESUS I	STAFF	08:00A 04:00P	SATURDAY	122	160	1
13805	EMS	100 *7	CARDIOPULMONARY RESUS I	STAFF	08:00A 04:00P	SATURDAY	122	160	1
13806	EMS	100 *8	CARDIOPULMONARY RESUS I	STAFF	TBA	TBA	TBA	TBA	1
13808	EMS	101 *8	CARDIOPULMONARY RESUS II	STAFF	TBA	TBA	TBA	TBA	1
13809	EMS	105 *8	FIRST RESPONDER	STAFF	TBA	TBA	TBA	TBA	3
13810	EMS	107 *9	EMERG VEHICLE OPR AMBULAN	STAFF	08:00A 04:00P	FRI & SAT	122	168	1
13811	EMS	107 *10	EMERG VEHICLE OPR AMBULAN	STAFF	08:00A 04:00P	FRI & SAT	122	169	1
13816	EMS	116	EMS BASIC THEORY/LAB	SIMPSON M A	08:00A 12:00P	M W F	122	168	9
13817	EMS	117	EMS BASIC CLINICAL COM	OYEN T D	TBA	TBA	122	000	1
<b>EXTENDED DAY</b>									
13860	EMS	116	EMS BASIC THEORY/LAB	STAFF	07:00P 09:00P	M T & TH	122	168	9
13861	EMS	117	EMS BASIC CLINICAL COM	OYEN T D	TBA	TBA	122	000	1

\*4 ONE DAY CLASS ONLY 1-12-08. STUDENTS MUST COMPLETE ASSIGNMENT THROUGH WEB CT DURING THE FIRST WEEK OF CLASSES.

\*5 ONE DAY CLASS ONLY 1-19-08. STUDENTS MUST COMPLETE ASSIGNMENT THROUGH WEB CT DURING THE FIRST WEEK OF CLASSES.

\*6 ONE DAY CLASS ONLY 1-26-08. STUDENTS MUST COMPLETE ASSIGNMENT THROUGH WEB CT DURING THE FIRST WEEK OF CLASSES.

\*7 ONE DAY CLASS ONLY 2-2-08. STUDENTS MUST COMPLETE ASSIGNMENT THROUGH WEB CT DURING THE FIRST WEEK OF CLASSES.

\*8 CLASS TO BE TAKEN WITH WILDERNESS FIRST RESPONDER.

\*9 CLASS MEETS TWO DAYS ONLY APRIL 4 &amp; 5, 2008.

\*10 CLASS MEETS TWO DAYS ONLY APRIL 18 &amp; 19, 2008.

**ENGLISH**

Section	Dept.	Number	Course Description	Instructor	Time	Days	Bldg	Rm	Hrs
<b>SHOALS CAMPUS</b>									
10630	ENG	092	BASIC ENGLISH I	STAFF	11:00A 12:15P	M & W	110	104	3
10635	ENG	093	BASIC ENGLISH II	CURTIS V L	08:00A 09:15A	M & W	110	111	3
10636	ENG	093 *4	BASIC ENGLISH II	CURTIS V L	08:00A 09:15A	T & TH	110	111	3
10637	ENG	093 *4	BASIC ENGLISH II	CURTIS V L	11:00A 12:15P	M & W	110	111	3
10662	ENG	093	BASIC ENGLISH II	STAFF	05:30P 06:45P	M & W	110	111	3
16001	ENG	101	ENGLISH COMPOSITION I	THORNTON C H	08:00A 09:15A	M & W	120	121	3
16002	ENG	101	ENGLISH COMPOSITION I	STAFF	09:30A 10:45A	M & W	120	120	3
16003	ENG	101	ENGLISH COMPOSITION I	STAFF	11:00A 12:15P	M & W	120	121	3
16004	ENG	101	ENGLISH COMPOSITION I	STAFF	12:45P 02:00P	M & W	120	121	3
16006	ENG	101	ENGLISH COMPOSITION I	VAUGHN L L	08:00A 09:15A	T & TH	120	121	3
16007	ENG	101	ENGLISH COMPOSITION I	STAFF	09:30A 10:45A	T & TH	120	121	3
16008	ENG	101	ENGLISH COMPOSITION I	CURTIS V L	11:00A 12:15P	T & TH	110	104	3
16009	ENG	101	ENGLISH COMPOSITION I	CURTIS V L	12:45P 02:00P	T & TH	110	104	3
16011	ENG	102	ENGLISH COMPOSITION II	KELLEY T B	08:00A 09:15A	M & W	120	123	3
16012	ENG	102	ENGLISH COMPOSITION II	STAFF	09:30A 10:45A	M & W	120	123	3
16013	ENG	102	ENGLISH COMPOSITION II	NESBITT M M	11:00A 12:15P	M & W	120	120	3
16014	ENG	102	ENGLISH COMPOSITION II	BENSON D A	12:45P 02:00P	M & W	120	120	3
16017	ENG	102	ENGLISH COMPOSITION II	BENSON D A	08:00A 09:15A	T & TH	120	120	3
16018	ENG	102	ENGLISH COMPOSITION II	THORNTON C H	09:30A 10:45A	T & TH	120	123	3
16019	ENG	102	ENGLISH COMPOSITION II	VAUGHN L L	11:00A 12:15P	T & TH	120	123	3
16020	ENG	102	ENGLISH COMPOSITION II	NESBITT M M	12:45P 02:00P	T & TH	120	120	3
16025	ENG	130	TECHNICAL REPORT WRITING	THORNTON C H	12:45P 02:00P	T & TH	120	122	3
16032	ENG	271	WORLD LITERATURE I	BENSON D A	09:30A 10:45A	T & TH	120	120	3
16033	ENG	271	WORLD LITERATURE I	THORNTON C H	12:45P 02:00P	M & W	120	123	3
16037	ENG	272	WORLD LITERATURE II	THORNTON C H	11:00A 12:15P	T & TH	120	121	3
<b>EXTENDED DAY</b>									
16051	ENG	101	ENGLISH COMPOSITION I	STAFF	05:30P 06:45P	M & W	120	121	3
16052	ENG	101	ENGLISH COMPOSITION I	STAFF	07:00P 08:15P	T & TH	120	121	3
16054	ENG	102	ENGLISH COMPOSITION II	STAFF	07:00P 08:15P	M & W	120	123	3
16055	ENG	102	ENGLISH COMPOSITION II	STAFF	05:30P 06:45P	T & TH	120	123	3
16061	ENG	271	WORLD LITERATURE I	KELLEY T B	05:30P 08:10P	TUESDAY	120	128	3
16062	ENG	272	WORLD LITERATURE II	NESBITT M M	05:30P 06:45P	M & W	120	120	3
<b>DISTANCE EDUCATION</b>									
26001	ENG	101 *3, *5	ENGLISH COMPOSITION I	NESBITT M M	TBA	TBA	TBA	TBA	3
26002	ENG	102 *3, *5	ENGLISH COMPOSITION II	BENSON D A	TBA	TBA	TBA	TBA	3
26003	ENG	271 *3, *5	WORLD LITERATURE I	BENSON D A	TBA	TBA	TBA	TBA	3
26004	ENG	272 *3, *5	WORLD LITERATURE II	NESBITT M M	TBA	TBA	TBA	TBA	3
<b>PHIL CAMPBELL CAMPUS</b>									
30632	ENG	093	BASIC ENGLISH II	STAFF	08:00A 09:15A	T & TH	307	031	3
36001	ENG	101	ENGLISH COMPOSITION I	MCCLUNG M P	11:00A 12:15P	M & W	302	104	3
36002	ENG	101	ENGLISH COMPOSITION I	VAUGHN L L	12:45P 02:00P	M & W	302	104	3
36003	ENG	101	ENGLISH COMPOSITION I	MCCLUNG M P	09:30A 10:45A	T & TH	302	104	3
36004	ENG	102	ENGLISH COMPOSITION II	VAUGHN L L	08:00A 09:15A	M & W	302	104	3
36005	ENG	102	ENGLISH COMPOSITION II	VAUGHN L L	09:30A 10:45A	M & W	302	104	3
36006	ENG	102	ENGLISH COMPOSITION II	MCCLUNG M P	12:45P 02:00P	T & TH	302	104	3
36007	ENG	272 *6	WORLD LITERATURE II	MCCLUNG M P	08:00A 09:15A	M & W	302	304	3
36008	ENG	271	WORLD LITERATURE I	KELLEY T B	09:30A 10:45A	T & TH	302	209	3
<b>EXTENDED DAY</b>									
36050	ENG	101	ENGLISH COMPOSITION I	STAFF	05:30P 06:45P	M & W	302	104	3
36052	ENG	102	ENGLISH COMPOSITION II	STAFF	07:00P 08:15P	M & W	302	104	3
36053	ENG	272 *6	WORLD LITERATURE II	MCCLUNG M P	05:30P 08:10P	THURSDAY	302	309	3
30661	ENG	093	BASIC ENGLISH II	STAFF	05:30P 06:45P	M & W	307	031	3

\*3 SEE DISTANCE EDUCATION SECTION OF SCHEDULE FOR INFORMATION ON ON-CAMPUS MEETINGS AND/OR ONLINE ORIENTATION.

\*4 STUDENT SUPPORT SERVICES COURSE.

\*5 STUDENTS MUST HAVE MICROSOFT WORD SOFTWARE.

\*6 THIS COURSE MAY ALSO BE TAKEN FOR HONORS CREDIT.

HONOR STUDENTS ARE REQUIRED TO TAKE IDS 115 FORUM (1 SEMESTER HOUR).

**ENVIRONMENTAL TECHNOLOGY****SHOALS CAMPUS**

<b>EXTENDED DAY</b>									
19753	EVT	105	INTRO TO OCC SAFETY & HEA	TOMLINSON R	05:30P 08:15P	WED	121	148	3
19758	EVT	220	TOXICOLOGY	HOGUE T I	05:30P 08:15P	MONDAY	121	148	3

**FIRE SCIENCE**

Section	Dept.	Number	Course Description	Instructor	Time	Days	Bldg	Rm	Hrs
<b>SHOALS CAMPUS</b>									
16251	FSC	292	ELEMENTS OF SUPERVISION	COCHRAN C L	05:30P 08:15P	MONDAY	120	127	3

**GEOGRAPHY**

<b>SHOALS CAMPUS</b>									
16301	GEO	100 *4	WORLD REGIONAL GEOGRAPHY	PEARSON S A	11:00A 12:15P	T & TH	121	141	3
<b>PHIL CAMPBELL CAMPUS</b>									
36301	GEO	100 *4	WORLD REGIONAL GEOGRAPHY	PEARSON S A	11:00A 12:15P	T & TH	306	013	3

\*4 VIDEOCONFERENCE COURSE.

**HEALTH EDUCATION**

<b>SHOALS CAMPUS</b>									
16501	HED	226	WELLNESS	LEE M C	09:30A 10:45A	T & TH	118	114	3
16502	HED	231	FIRST AID	LEE M C	08:00A 09:15A	M & W	118	114	3
16503	HED	231	FIRST AID	LEE M C	11:00A 12:15P	T & TH	118	114	3
<b>DISTANCE EDUCATION</b>									
26501	HED	231 *3	FIRST AID	LEE M C	TBA	TBA			3
26502	HED	226 *3	WELLNESS	LEE M C	TBA	TBA			3
<b>PHIL CAMPBELL CAMPUS</b>									
36501	HED	226	WELLNESS	SHACKELFORD A E	08:00A 09:15A	M & W	308	300	3
36502	HED	231	FIRST AID	SHACKELFORD A E	08:00A 09:15A	T & TH	308	300	3
36503	HED	231	FIRST AID	SHACKELFORD A E	12:45P 02:00P	M & W	308	300	3

\*3 SEE DISTANCE EDUCATION SECTION OF SCHEDULE FOR INFORMATION ON ON-CAMPUS MEETINGS AND/OR ONLINE ORIENTATION.

**HISTORY**

<b>SHOALS CAMPUS</b>									
16601	HIS	102	WESTERN CIVILIZATION II	ENGLAND R D	08:00A 09:15A	M & W	120	126	3
16602	HIS	102	WESTERN CIVILIZATION II	ENGLAND R D	12:45P 02:00P	T & TH	120	126	3
16603	HIS	102	WESTERN CIVILIZATION II	ENGLAND R D	08:00A 09:15A	T & TH	120	126	3
16604	HIS	102	WESTERN CIVILIZATION II	STAFF	11:00A 01:45P	FRIDAY	120	128	3
16605	HIS	202	UNITED STATES HISTORY II	ENGLAND R D	09:30A 10:45A	T & TH	120	126	3
16606	HIS	202	UNITED STATES HISTORY II	PEARSON S A	11:00A 12:15P	M & W	120	128	3
16607	HIS	102	WESTERN CIVILIZATION II	ENGLAND R D	12:45P 02:00P	M & W	120	126	3
16608	HIS	299 *4	DIRECTED STUDIES IN HISTO	ENGLAND R D	08:00A 10:00A	FRIDAY	120	120	3
<b>EXTENDED DAY</b>									
16651	HIS	101	WESTERN CIVILIZATION I	STAFF	05:30P 06:45P	M & W	120	127	3
16652	HIS	102	WESTERN CIVILIZATION II	STAFF	07:00P 08:15P	T & TH	120	127	3
16653	HIS	201	UNITED STATES HISTORY I	STAFF	08:30P 09:45P	T & TH	120	127	3
16654	HIS	202	UNITED STATES HISTORY II	STAFF	07:00P 08:15P	M & W	120	127	3
<b>DISTANCE EDUCATION</b>									
26601	HIS	101 *3	WESTERN CIVILIZATION I	PEARSON S A	TBA	TBA	TBA	TBA	3
26602	HIS	102 *3	WESTERN CIVILIZATION II	PEARSON S A	TBA	TBA	TBA	TBA	3
26603	HIS	201 *3	UNITED STATES HISTORY I	PEARSON S A	TBA	TBA	TBA	TBA	3
26604	HIS	202 *3	UNITED STATES HISTORY II	PEARSON S A	TBA	TBA	TBA	TBA	3
<b>PHIL CAMPBELL CAMPUS</b>									
36601	HIS	101	WESTERN CIVILIZATION I	POOL B P	09:30A 10:45A	M & W	302	308	3
36602	HIS	102	WESTERN CIVILIZATION II	POOL B P	08:00A 09:15A	T & TH	302	308	3
36603	HIS	102	WESTERN CIVILIZATION II	POOL B P	11:00A 12:15P	M & W	302	308	3
36604	HIS	202	UNITED STATES HISTORY II	POOL B P	12:45P 02:00P	T & TH	302	308	3
<b>EXTENDED DAY</b>									
36651	HIS	102	WESTERN CIVILIZATION II	POOL B P	08:30P 09:45P	M & W	302	308	3
36652	HIS	202	UNITED STATES HISTORY II	POOL B P	07:00P 08:15P	M & W	302	308	3

\*3 SEE DISTANCE EDUCATION SECTION OF SCHEDULE FOR INFORMATION ON ON-CAMPUS MEETINGS AND/OR ONLINE ORIENTATION.

\*4 THIS COURSE MAY ALSO BE TAKEN FOR HONORS CREDIT.

HONOR STUDENTS ARE REQUIRED TO TAKE IDS 115 FORUM (1 SEMESTER HOUR).

**HUMANITIES**

Section	Dept.	Number	Course Description	Instructor	Time	Days	Bldg	Rm	Hrs
<b>SHOALS CAMPUS</b>									
16850	HUM	100 *4	HUMANITIES FORUM	LONG G L	TBA	TBA	TBA	TBA	1
16851	HUM	120 *5	INTERN STUDIES IN CULTURE	BENSON D A	TBA	TBA	TBA	TBA	3
<b>PHIL CAMPBELL CAMPUS</b>									
36850	HUM	100 *4	HUMANITIES FORUM	LONG G L	TBA	TBA	TBA	TBA	1
36851	HUM	120 *5	INTERN STUDIES IN CULTURE	BENSON D A	TBA	TBA	TBA	TBA	3

\*4 PTK MEMBERS ONLY.

\*5 EUROPEAN TRAVEL REQUIRED.

**INTERDISCIPLINARY STUDIES**

Section	Dept.	Number	Course Description	Instructor	Time	Days	Bldg	Rm	Hrs
<b>SHOALS CAMPUS</b>									
16903	IDS	115 *4	FORUM	BALTES J T	TBA	TBA	TBA	TBA	1
16902	IDS	299 *5	DIR STUDIES IN LEADERSHIP	BERRYHILL K N	TBA	TBA	TBA	TBA	1
16904	IDS	299H *6	DIRECTED STUDIES IN LEADERSHIP	LEE	05:30P 07:10P	WED	121	148	2
<b>PHIL CAMPBELL CAMPUS</b>									
36903	IDS	115 *4	FORUM	BALTES J T	TBA	TBA	TBA	TBA	1
36901	IDS	200	COLLEGE SCHOLARS BOWL WOR	WATSON S E	TBA	M & W	306	013	1
36902	IDS	299 *5	DIR STUDIES IN LEADERSHIP	BERRYHILL K N	TBA	TBA	TBA	TBA	1
36904	IDS	299H *6	DIRECTED STUDIES IN LEADERSHIP	LEE	05:30P 07:10P	WED	306	013	2

\*4 HONORS PROGRAM STUDENTS ARE REQUIRED TO TAKE THIS COURSE.

\*5 AMBASSADORS ONLY.

\*6 PTK OFFICERS REQUIRED TO TAKE THIS COURSE.

**INDUSTRIAL MAINTENANCE**

Section	Dept.	Number	Course Description	Instructor	Time	Days	Bldg	Rm	Hrs
<b>SHOALS CAMPUS</b>									
10200	INT	117	PRIN OF INDUSTRIAL MECHANICS	BONNER J W	08:30A 11:00A	FRIDAY	102	000	3
10201	INT	123	CONCEPTS OF SOLID STATE ELECT	BONNER J W	08:00A 11:00A	T & TH	102	000	3
****	INT	123	CONCEPTS OF SOLID STATE ELECT LAB	BONNER J W	12:00P 03:00P	T & TH	102	000	0
10202	INT	127 *2	PRIN OF INDUS PUMPS/PIPING	HALL H B	08:10A 11:00A	T & TH	102	000	3
****	INT	127 *2	PRIN OF INDUS PUMPS/PIPING LAB	HALL H B	11:30A 02:40P	T & TH	102	000	0
10203	INT	128 *1	PRIN OF INDUST ENVIR CONTROL	HALL H B	08:10A 11:00A	T & TH	102	000	3
****	INT	128 *1	PRIN OF INDUST ENVIR CONTROL LBA	HALL H B	11:30A 02:40P	T & TH	102	000	0
10205	INT	284	APPLIED PRIN OF PROG CONTROL	BONNER J W	12:00P 03:00P	M & W	102	000	3
<b>EXTENDED DAY</b>									
10250	INT	118	FUND OF INDUSTRIAL HYDR/PNEU	BONNER J W	04:30P 07:00P	T & TH	102	000	3
10251	INT	122	CONCEPTS OF ALTERNATING CURREN	ROBISON H J	05:00P 07:00P	T & TH	102	000	5
****	INT	122	CONCEPTS OF ALTER. CURREN LAB	ROBISON H G	07:30P 10:00P	T & TH	102	000	0
10252	INT	127	PRIN OF INDUS PUMPS/PIPING	HALL H B	04:30P 07:00P	MONDAY	102	000	3
****	INT	127	PRIN OF INDUS PUMPS/PIPING LAB	HALL H B	07:30P 10:00P	MONDAY	102	000	0
10253	INT	128	PRIN OF INDUST ENVIR CONTROL	TERRY R	04:30P 07:00P	THURSDAY	102	000	3
****	INT	128	PRIN OF INDUST ENVIR CONTROL LAB	TERRY R	07:30P 10:00P	THURSDAY	102	000	0
10255	INT	211	INDUSTRIAL MOTORS II	STAFF	07:30P 10:00P	M & W	102	000	3
10256	INT	213	INDUSTRIAL MOTORS CONTROL II	STAFF	04:30P 07:30P	M & W	102	000	3

\*1 CLASS MEETS FIRST TERM.

\*2 CLASS MEETS SECOND TERM.

**MACHINE SHOP**

Section	Dept.	Number	Course Description	Instructor	Time	Days	Bldg	Rm	Hrs
<b>SHOALS CAMPUS</b>									
12501	MSP	101	BASIC MACHINING TECH	MAUPIN T H	10:00A 12:00P	M W F	105	000	5
****	MSP	101	BASIC MACHINING TECH LAB	MAUPIN T H	01:00P 03:00P	M W F	105	000	0
****	MSP	101	BASIC MACHINING TECH LAB	MAUPIN T H	08:00A 10:00A	FRIDAY	105	000	0
12502	MSP	105 *1	LATHES	MAUPIN T H	08:00A 09:40A	MONDAY	105	000	3
****	MSP	105 *1	LATHES LAB	MAUPIN T H	01:00P 03:00P	W TH F	105	000	0
****	MSP	105 *1	LATHES LAB	MAUPIN T H	10:00A 12:00P	THURSDAY	105	000	0
****	MSP	105 *1	LATHES LAB	MAUPIN T H	08:00A 12:00P	FRIDAY	105	000	0
12503	MSP	112 *1	BASIC CNC TURNING	MAUPIN T H	08:00A 12:00P	M W F	105	000	3
****	MSP	112 *1	BASIC CNC TURNING LAB	MAUPIN T H	08:00A 10:00A	TUESDAY	105	000	0
12504	MSP	113 *1	BASIC CNC MILLING	MAUPIN T H	01:00P 03:00P	M THRU F	105	000	3
****	MSP	113 *1	BASIC CNC MILLING LAB	MAUPIN T H	10:00A 12:00P	T & TH	105	000	0
****	MSP	113 *1	BASIC CNC MILLING LAB	MAUPIN T H	08:00A 10:00A	THURSDAY	105	000	0
12506	MSP	122 *2	MILLING MACHINES	MAUPIN T H	10:00A 12:00P	M T & TH	105	000	3
****	MSP	122 *2	MILLING MACHINES LAB	MAUPIN T H	01:00P 03:00P	M T & TH	105	000	0
****	MSP	122 *2	MILLING MACHINES LAB	MAUPIN T H	08:00A 09:40A	MONDAY	105	000	0

**MACHINE SHOP (cont'd)**

Section	Dept.	Number	Course Description	Instructor	Time	Days	Bldg	Rm	Hrs
12507	MSP	124 *1	ADVANCE BLUEPRINTING	MAUPIN T H	09:50A 11:30A	M & W	105	000	2
12508	MSP	127 *2	CAM	MAUPIN T H	10:00A 12:00P	M THRU F	105	000	6
*****	MSP	127 *2	CAM LAB	MAUPIN T H	01:00P 03:00P	M THRU F	105	000	0
*****	MSP	127 *2	CAM LAB	MAUPIN T H	08:00A 10:00A	T & TH	105	000	0
*****	MSP	127 *2	CAM LAB	MAUPIN T H	08:00A 10:00A	FRIDAY	105	000	0
12509	MSP	131 *2	INTRODUCTION TO METALLURG	MAUPIN T H	08:00A 12:00P	WED	105	000	2
*****	MSP	131 *2	INTRODUCTION TO METALLURG LAB	MAUPIN T H	01:00P 03:00P	WED	105	000	0
12510	MSP	181 *1	SPECIAL TOPICS IN MSP	MAUPIN T H	10:00A 12:00P	TUESDAY	105	000	2
*****	MSP	181 *1	SPECIAL TOPICS IN MSP LAB	MAUPIN T H	01:00P 03:00P	TUESDAY	105	000	0
*****	MSP	181 *1	SPECIAL TOPICS IN MSP LAB	MAUPIN T H	08:00A 09:40A	WED	105	000	0
12511	MSP	182	SPECIAL PROJECTS IN MSP	MAUPIN T H	TBA	TBA	TBA	TBA	1
<b>EXTENDED DAY</b>									
12550	MSP	101	BASIC MACHINING TECH	STAFF	05:00P 10:00P	MONDAY	105	000	5
*****	MSP	101	BASIC MACHINING TECH LAB	STAFF	05:00P 08:00P	TUESDAY	105	000	0
*****	MSP	101	BASIC MACHINING TECH LAB	STAFF	05:00P 09:00P	THURSDAY	105	000	0
12551	MSP	102	INTERMED MACHINING TECH	STAFF	05:00P 10:00P	MONDAY	105	000	5
*****	MSP	102	INTERMED MACHINING TECH LAB	STAFF	05:00P 09:00P	TUESDAY	105	000	0
*****	MSP	102	INTERMED MACHINING TECH LAB	STAFF	5:00P 08:00P	THURSDAY	105	000	0
12552	MSP	104	BASIC MACHINING CALCULAT	STAFF	08:00A 10:00P	TUESDAY	105	000	2
12553	MSP	115	ADVANCED MILLING MACHINES	STAFF	05:00P 10:00P	MONDAY	105	000	5
*****	MSP	115	ADVANCED MILLING MACHINES LAB	STAFF	05:00P 10:00P	TUESDAY	105	000	0
*****	MSP	115	ADVANCED MILLING MACHINES LAB	STAFF	05:00P 07:00P	THURSDAY	105	000	0
12556	MSP	142	ADV MACHINING CALCULATION	STAFF	08:00A 10:00P	THURSDAY	105	000	2
12557	MSP	181	SPECIAL TOPICS IN MSP	STAFF	07:00P 10:00P	MONDAY	105	000	2
*****	MSP	181	SPECIAL TOPICS IN MSP LAB	STAFF	05:00P 09:00P	TUESDAY	105	000	0
12558	MSP	182	SPECIAL PROJECTS IN MSP	STAFF	TBA	TBA	TBA	TBA	1

\*1 CLASS MEETS FIRST TERM.

\*2 CLASS MEETS SECOND TERM.

**MATHEMATICS - TECHNICAL****SHOALS CAMPUS**

<b>EXTENDED DAY</b>									
12251	MAH	101	INTRO MATHEMATICS I	STAFF	05:00P 06:50P	T & TH	110	107	3

**MATHEMATICS****SHOALS CAMPUS**

17101	MTH	090	BASIC MATHEMATICS	STAFF	09:30A 10:45A	M & W	110	107	3
17102	MTH	090	BASIC MATHEMATICS	STAFF	12:45P 02:00P	T & TH	110	107	3
17103	MTH	098 *4	ELEMENTARY ALGEBRA	LYNDON	08:00A 09:15A	M & W	110	107	3
17104	MTH	098	ELEMENTARY ALGEBRA	STAFF	11:00A 12:15P	M & W	110	107	3
17105	MTH	098	ELEMENTARY ALGEBRA	STAFF	09:30A 10:45A	T & TH	110	107	3
17106	MTH	098	ELEMENTARY ALGEBRA	RHODES	11:00A 12:15P	T & TH	122	193	3
17107	MTH	098 *4	ELEMENTARY ALGEBRA	RICKETTS	12:45A 02:00P	T & TH	122	193	3
17108	MTH	100	INTERMEDIATE ALGEBRA	RICKETTS	08:00A 09:15A	M & W	122	193	3
17109	MTH	100	INTERMEDIATE ALGEBRA	RHODES	09:30A 10:45A	M & W	122	186	3
17110	MTH	100	INTERMEDIATE ALGEBRA	B. THOMPSON	12:45P 02:00P	M & W	122	186	3
17111	MTH	100 *4	INTERMEDIATE ALGEBRA	LYNDON	02:15P 03:30P	M & W	110	107	3
17112	MTH	100 *4	INTERMEDIATE ALGEBRA	RICKETTS	09:30A 10:45A	T & TH	122	186	3
17113	MTH	100	INTERMEDIATE ALGEBRA	STAFF	11:00A-12:15P	T & TH	110	107	3
17114	MTH	100	INTERMEDIATE ALGEBRA	RHODES	02:15P 03:30P	T & TH	122	186	3
17115	MTH	110	FINITE MATHEMATICS	B. THOMPSON	12:45P 02:00P	T & TH	122	186	3
17116	MTH	112	PRECALCULUS ALGEBRA	EUBANKS	08:00A 09:15A	M & W	122	186	3
17117	MTH	112	PRECALCULUS ALGEBRA	RICKETTS	02:15P 03:30P	M & W	122	186	3
17118	MTH	112	PRECALCULUS ALGEBRA	STAFF	08:00A 09:15A	T & TH	122	193	3
17119	MTH	112	PRECALCULUS ALGEBRA	EUBANKS	11:00A 12:15P	T & TH	122	186	3
17120	MTH	113	PRECALCULUS TRIGONOMETRY	STAFF	09:30A 10:45A	T & TH	122	193	3
17121	MTH	116	MATHEMATICAL APPLICATIONS	B. THOMPSON	02:15P 03:30P	M & W	122	193	3
17122	MTH	116	MATHEMATICAL APPLICATIONS	B. THOMPSON	08:00A 10:45A	T & TH	122	186	3
17123	MTH	118	TECHNICAL MATHEMATICS	B. THOMPSON	08:00A 09:15A	FRIDAY	122	193	3
17124	MTH	126	CALCULUS II	RHODES	11:00A 12:15P	M W F	122	186	4
17125	MTH	246	MATHEMATICS OF FINANCE	RICKETTS	08:00A 10:45A	FRIDAY	122	186	3
17126	MTH	265	ELEMENTARY STATISTICS	EUBANKS	02:15P 03:30P	T & TH	122	193	3
<b>EXTENDED DAY</b>									
17150	MTH	090	BASIC MATHEMATICS	STAFF	07:00P 08:15 P	T & TH	110	104	3
17151	MTH	098	ELEMENTARY ALGEBRA	STAFF	08:30P 09:45 P	T & TH	110	107	3
17152	MTH	098	ELEMENTARY ALGEBRA	STAFF	07:00P 08:15P	M & W	122	193	3

**MATHEMATICS (cont'd)**

Section	Dept.	Number	Course Description	Instructor	Time	Days	Bldg	Rm	Hrs
17153	MTH	100	INTERMEDIATE ALGEBRA	STAFF	05:30P 06:45P	M & W	122	193	3
17154	MTH	100	INTERMEDIATE ALGEBRA	STAFF	07:00P 08:15P	T & TH	122	193	3
17155	MTH	103	INTRO TO TECHNICAL MATH	STAFF	08:30P 09:45P	M & W	122	193	3
17156	MTH	110	FINITE MATHEMATICS	STAFF	08:30P 09:45P	T & TH	122	193	3
17157	MTH	112	PRECALCULUS ALGEBRA	STAFF	05:30P 06:45P	M & W	122	186	3
17158	MTH	113	PRECALCULUS TRIGONOMETRY	STAFF	05:30P 06:45P	T & TH	122	193	3
17159	MTH	116	MATHEMATICAL APPLICATIONS	STAFF	07:00P 08:15P	T & TH	110	107	3
17160	MTH	125	CALCULUS I	RHODES	05:00P 06:45P	T & TH	122	186	4
17161	MTH	238	APPLIED DIFFERENTIAL EQUATIONS I	STAFF	07:00P 08:15P	M & W	122	186	3

**DISTANCE EDUCATION**

27101	MTH	098 *3	ELEMENTARY ALGEBRA	WATSON	TBA	TBA	TBA	TBA	3
27102	MTH	100 *3	INTERMEDIATE ALGEBRA	LYNDON	TBA	TBA	TBA	TBA	3
27103	MTH	112 *3	PRECALCULUS ALGEBRA	CRABTREE	TBA	TBA	TBA	TBA	3
27104	MTH	116 *3	MATHEMATICAL APPLICATIONS	RICKETTS	TBA	TBA	TBA	TBA	3

**PHIL CAMPBELL CAMPUS**

37101	MTH	090	BASIC MATHEMATICS	STAFF	11:00A 12:15P	T & TH	305	105	3
37102	MTH	098 *4	ELEMENTARY ALGEBRA	WATSON	12:45P 02:00P	M & W	307	031	3
37103	MTH	098	ELEMENTARY ALGEBRA	STAFF	09:30-10:45A	T & TH	305	105	3
37104	MTH	100	INTERMEDIATE ALGEBRA	CRABTREE	12:45P 02:00P	M & W	305	105	3
37105	MTH	100	INTERMEDIATE ALGEBRA	CRABTREE	09:30A 10:45A	T & TH	303	017	3
37106	MTH	110	FINITE MATHEMATICS	CRABTREE	08:00A 09:15A	T & TH	303	017	3
37107	MTH	112	PRECALCULUS ALGEBRA	CRABTREE	11:00A 12:15P	M & W	305	105	3
37108	MTH	113	PRECALCULUS TRIGONOMETRY	WATSON	08:00A 09:15A	T & TH	305	105	3
37109	MTH	116	MATHEMATICAL APPLICATIONS	STAFF	12:00P 02:45P	FRIDAY	305	105	3
37110	MTH	126	CALCULUS II	WATSON	07:45A 09:25A	M & W	305	105	4
37111	MTH	265	ELEMENTARY STATISTICS	WATSON	09:30A 10:45A	T & TH	302	309	3

**EXTENDED DAY**

37150	MTH	100	INTERMEDIATE ALGEBRA	STAFF	07:00P 08:15P	T & TH	302	203	3
37151	MTH	112	PRECALCULUS ALGEBRA	STAFF	05:30P 06:45	T & TH	302	203	3
37152	MTH	116	MATHEMATICAL APPLICATIONS	STAFF	08:30P 09:45P	T & TH	302	203	3

\*3 SEE DISTANCE EDUCATION SECTION OF SCHEDULE FOR INFORMATION ON ON-CAMPUS MEETINGS AND/OR ONLINE ORIENTATION.

\*4 STUDENT SUPPORT SERVICES COURSE.

**MUSIC - ENSEMBLE****SHOALS CAMPUS**

17201	MUL	184	JAZZ/SHOW CHOIR I	HEAD R D	01:00P 03:00P	T & TH	110	117	1
17202	MUL	185	JAZZ/SHOW CHOIR II	HEAD R D	01:00P 03:00P	T & TH	110	117	1
17203	MUL	284	JAZZ/SHOW CHOIR III	HEAD R D	01:00P 03:00P	T & TH	110	117	1
17204	MUL	285	JAZZ/SHOW CHOIR IV	HEAD R D	01:00P 03:00P	T & TH	110	117	1

**PHIL CAMPBELL CAMPUS**

37201	MUL	102	CLASS PIANO II	MCALISTER W L	08:25A 09:15A	T & TH	310	114	1
37202	MUL	112	CLASS VOICE II	MCALISTER J J	08:25A 09:15A	T & TH	310	000	1
37203	MUL	172 *4	MUS. THEATRE WORKSHOP I	MCALISTER W L	TBA	TBA	TBA	TBA	2
37204	MUL	172	MUS. THEATRE WORKSHOP I	MCALISTER W L	02:30P 04:30P	T & TH	310	000	2
37205	MUL	173 *4	MUS. THEATRE WORKSHOP II	MCALISTER W L	TBA	TBA	TBA	TBA	2
37206	MUL	173	MUS. THEATRE WORKSHOP II	MCALISTER W L	02:30P 04:30P	T & TH	310	000	2
37207	MUL	180	CHORUS I	MCALISTER J J	TBA	TBA	TBA	TBA	1
37208	MUL	181	CHORUS II	MCALISTER J J	TBA	TBA	TBA	TBA	1
37211	MUL	182	VOCAL ENSEMBLE I	MCALISTER J J	02:15P 04:15P	T & TH	310	000	1
37212	MUL	183	VOCAL ENSEMBLE II	MCALISTER J J	02:15P 04:15P	T & TH	310	000	1
37213	MUL	196	JAZZ/SHOW BAND I	MCALISTER W L	12:45P 02:00P	T & TH	310	000	1
37214	MUL	197	JAZZ/SHOW BAND II	MCALISTER W L	12:45P 02:00P	T & TH	310	000	1
37215	MUL	272 *4	MUS. THEATRE WORKSHOP III	MCALISTER W L	TBA	TBA	TBA	TBA	2
37216	MUL	272	MUS. THEATRE WORKSHOP III	MCALISTER W L	02:30P 04:30P	TBA	TBA	TBA	2
37217	MUL	273 *4	MUS. THEATRE WORKSHOP IV	MCALISTER W L	TBA	TBA	TBA	TBA	2
37218	MUL	273	MUS. THEATRE WORKSHOP IV	MCALISTER W L	02:30P 04:30P	T & TH	310	000	2
37219	MUL	280	CHORUS III	MCALISTER J J	TBA	TBA	TBA	TBA	1
37220	MUL	281	CHORUS IV	MCALISTER J J	TBA	TBA	TBA	TBA	1
37221	MUL	282	VOCAL ENSEMBLE III	MCALISTER J J	02:15P 04:15P	T & TH	310	000	1
37222	MUL	283	VOCAL ENSEMBLE IV	MCALISTER J J	02:15P 04:15P	T & TH	310	000	1
37223	MUL	296	JAZZ/SHOWBAND III	MCALISTER W L	12:45P 02:00P	T & TH	310	000	1
37224	MUL	297	JAZZ/SHOWBAND IV	MCALISTER W L	12:45P 02:00P	T & TH	310	000	1

\*4 TOYLAND ONLY.

**MUSIC - PERFORMANCE**

Section	Dept.	Number	Course Description	Instructor	Time	Days	Bldg	Rm	Hrs
<b>PHIL CAMPBELL CAMPUS</b>									
37301	MUP	101	PRIVATE PIANO I	MCALISTER W L	TBA	TBA	TBA	TBA	1
37302	MUP	102	PRIVATE PIANO II	MCALISTER W L	TBA	TBA	TBA	TBA	1
37303	MUP	103	PRIVATE ORGAN I	MCALISTER W L	TBA	TBA	TBA	TBA	1
37304	MUP	111	PRIVATE VOICE I	MCALISTER J J	TBA	TBA	TBA	TBA	1
37305	MUP	111	PRIVATE VOICE I	MCALISTER W L	TBA	TBA	TBA	TBA	1
37306	MUP	112	PRIVATE VOICE II	MCALISTER J J	TBA	TBA	TBA	TBA	1
37307	MUP	112	PRIVATE VOICE II	MCALISTER W L	TBA	TBA	TBA	TBA	1
37308	MUP	133	PRIVATE GUITAR I	FOWLER R C	TBA	TBA	TBA	TBA	1
37309	MUP	134	PRIVATE GUITAR II	FOWLER R C	TBA	TBA	TBA	TBA	1
37310	MUP	143	PRIVATE CLARINET I	MCALISTER W L	TBA	TBA	TBA	TBA	1
37312	MUP	144	PRIVATE CLARINET II	MCALISTER W L	TBA	TBA	TBA	TBA	1
37313	MUP	145	PRIVATE SAXOPHONE I	MCALISTER W L	TBA	TBA	TBA	TBA	1
37314	MUP	146	PRIVATE SAXOPHONE II	MCALISTER W L	TBA	TBA	TBA	TBA	1
37316	MUP	161	PRIVATE TRUMPET I	MCALISTER J J	TBA	TBA	TBA	TBA	1
37317	MUP	162	PRIVATE TRUMPET II	MCALISTER J J	TBA	TBA	TBA	TBA	1
37319	MUP	171	PRIVATE TROMBONE I	MCALISTER J J	TBA	TBA	TBA	TBA	1
37320	MUP	172	PRIVATE TROMBONE II	MCALISTER J J	TBA	TBA	TBA	TBA	1
37321	MUP	176	PRIVATE TUBA II	MCALISTER J J	TBA	TBA	TBA	TBA	1
37322	MUP	181	PRIVATE PERCUSSION I	MCALISTER J J	TBA	TBA	TBA	TBA	1
37323	MUP	182	PRIVATE PERCUSSION II	MCALISTER J J	TBA	TBA	TBA	TBA	1
37324	MUP	201	PRIVATE PIANO III	MCALISTER W L	TBA	TBA	TBA	TBA	1
37325	MUP	202	PRIVATE PIANO IV	MCALISTER W L	TBA	TBA	TBA	TBA	1
37326	MUP	211	PRIVATE VOICE III	MCALISTER J J	TBA	TBA	TBA	TBA	1
37327	MUP	211	PRIVATE VOICE III	MCALISTER W L	TBA	TBA	TBA	TBA	1
37328	MUP	212	PRIVATE VOICE IV	MCALISTER J J	TBA	TBA	TBA	TBA	1
37329	MUP	233	PRIVATE GUITAR III	FOWLER R C	TBA	TBA	TBA	TBA	1
37330	MUP	234	PRIVATE GUITAR IV	FOWLER R C	TBA	TBA	TBA	TBA	1
37331	MUP	243	PRIVATE CLARINET III	MCALISTER W L	TBA	TBA	TBA	TBA	1
37333	MUP	244	PRIVATE CLARINET IV	MCALISTER W L	TBA	TBA	TBA	TBA	1
37334	MUP	245	PRIVATE SAXOPHONE III	MCALISTER W L	TBA	TBA	TBA	TBA	1
37335	MUP	246	PRIVATE SAXOPHONE IV	MCALISTER W L	TBA	TBA	TBA	TBA	1
37337	MUP	261	PRIVATE TRUMPET III	MCALISTER J J	TBA	TBA	TBA	TBA	1
37338	MUP	262	PRIVATE TRUMPET IV	MCALISTER W L	TBA	TBA	TBA	TBA	1
37340	MUP	271	PRIVATE TROMBONE III	MCALISTER J J	TBA	TBA	TBA	TBA	1
37341	MUP	272	PRIVATE TROMBONE IV	MCALISTER J J	TBA	TBA	TBA	TBA	1
37342	MUP	275	PRIVATE TUBA III	MCALISTER W L	TBA	TBA	TBA	TBA	1
37343	MUP	281	PRIVATE PERCUSSION III	MCALISTER J J	TBA	TBA	TBA	TBA	1
37344	MUP	282	PRIVATE PERCUSSION IV	MCALISTER J J	TBA	TBA	TBA	TBA	1
37345	MUP	175	PRIVATE TUBA I	MCALISTER J J	TBA	TBA	TBA	TBA	1
37346	MUP	276	PRIVATE TUBA II	MCALISTER J J	TBA	TBA	TBA	TBA	1

**MUSIC****SHOALS CAMPUS**

17401	MUS	101	MUSIC APPRECIATION	GIFFORD G A	08:00A 09:15A	M & W	110	117	3
17402	MUS	101	MUSIC APPRECIATION	HEAD R D	09:30A 10:45A	M & W	110	117	3
17403	MUS	101	MUSIC APPRECIATION	HEAD R D	12:45P 02:00P	M & W	110	117	3

**EXTENDED DAY**

17451	MUS	101	MUSIC APPRECIATION	GIFFORD G A	05:30P 06:45P	T & TH	110	117	3
-------	-----	-----	--------------------	-------------	---------------	--------	-----	-----	---

**DISTANCE EDUCATION**

27401	MUS	101 *3	MUSIC APPRECIATION	HEAD R D	TBA	TBA	TBA	TBA	3
27402	MUS	101 *3	MUSIC APPRECIATION	HEAD R D	TBA	TBA	TBA	TBA	3

**PHIL CAMPBELL CAMPUS**

37401	MUS	100	CONVOCAATION	MCALISTER W L	TBA	TBA	TBA	TBA	1
37402	MUS	101	MUSIC APPRECIATION	MCALISTER J J	12:45P 02:00P	M & W	310	025	3
37403	MUS	112	MUSIC THEORY II	MCALISTER J J	09:30A 10:45A	T & TH	310	000	3
37404	MUS	114	MUSIC THEORY LAB II	MCALISTER J J	11:00A 11:50A	T & TH	310	025	1
37405	MUS	212	MUSIC THEORY IV	MCALISTER W L	09:30A 10:45A	T & TH	310	000	3

**EXTENDED DAY**

37451	MUS	101	MUSIC APPRECIATION	FOWLER R C	05:30P 06:45P	T & TH	310	025	3
-------	-----	-----	--------------------	------------	---------------	--------	-----	-----	---

\*3 SEE DISTANCE EDUCATION SECTION OF SCHEDULE FOR INFORMATION ON ON-CAMPUS MEETINGS AND/OR ONLINE ORIENTATION.

**NURSING ASSISTANT**

Section	Dept.	Number	Course Description	Instructor	Time	Days	Bldg	Rm	Hrs
<b>SHOALS CAMPUS</b>									
<b>EXTENDED DAY</b>									
14251	NAS	100 *4	LONG TERM CARE NUR ASSIST	SORRELL J K	05:00P 09:00P	T & TH	122	167	4
*4 CLASS BEGINS JANUARY 8, 2008 AND ENDS MARCH 13, 2008.									

**NURSING****SHOALS CAMPUS**

19401	NUR	105 *4	ADULT NURSING	TIDWELL	08:00A 12:50P	FRIDAY	122	167	8
*****	NUR	105 *4	ADULT NURSING LAB	TIDWELL	TBA	M & W	TBA	TBA	0
19402	NUR	106 *4	MATERNAL AND CHILD NURSING	SYKES D K	08:00A 11:50A	TUESDAY	122	167	5
*****	NUR	106 *4	MATERNAL AND CHILD NURSING LAB	SYKES D K	TBA	M & W	TBA	TBA	0

**DISTANCE EDUCATION**

29401	NUR	200	CONCEPTS OF CAREER MOBILITY	TIDWELL	TBA	TBA	TBA	TBA	6
-------	-----	-----	-----------------------------	---------	-----	-----	-----	-----	---

**PHIL CAMPBELL CAMPUS**

39401	NUR	105 *5	ADULT NURSING	OLIVER	09:00A 11:00A	M & W	302	203	8
*****	NUR	105	ADULT NURSING LAB	OLIVER	TBA	T & TH	302	217	0
39402	NUR	105 *5	ADULT NURSING	OLIVER	12:00P 02:00P	M & W	302	203	8
*****	NUR	105	ADULT NURSING LAB	OLIVER	TBA	T & TH	302	217	0
39403	NUR	106 *5	MATERNAL AND CHILD NURSING	SYKES D K	09:00A 10:45A	M & W	302	209	5
*****	NUR	106	MATERNAL AND CHILD NURSING LAB	SYKES D K	TBA	T & TH	302	203	0
39404	NUR	106 *5	MATERNAL AND CHILD NURSING	SYKES D K	12:00P 01:45P	M & W	302	209	5
*****	NUR	106	MATERNAL AND CHILD NURSING LAB	SYKES D K	TBA	T & TH	302	203	0
39405	NUR	200	CONCEPTS OF CAREER MOBILITY	TIDWELL	TBA	TBA	TBA	TBA	6
39406	NUR	203 *5	NURS THRU LIFESPAN III	BALES A M	09:00A 12:00P	MONDAY	307	002	6
*****	NUR	203	NURS THRU LIFESPAN III LAB	BALES A M	TBA	T & TH	TBA	TBA	0
39407	NUR	203 *5	NURS THRU LIFESPAN III	BALES A M	09:00 A 12:20P	WED	307	002	6
*****	NUR	203	NURS THRU LIFESPAN III LAB	BALES A M	TBA	T & TH	TBA	TBA	0
39408	NUR	204	ROLE TRANS FOR THE RN	DABBS C S	01:00P 03:00P	MONDAY	307	002	4
39409	NUR	204	ROLE TRANS FOR THE RN	DABBS C S	01:00P 03:00P	WED	307	002	4

\*4 PN STUDENTS ONLY.

\*5 SELECTED FRIDAYS FOR TESTING.

**OFFICE ADMINISTRATION****SHOALS CAMPUS**

17601	OAD	100B	BASIC KEYBOARDING	SWINNEY J K	08:00A 09:15A	T & TH	112	111	3
17602	OAD	100B	BASIC KEYBOARDING	SWINNEY J K	11:00A 12:15P	T & TH	112	111	3
17604	OAD	101	BEGINNING KEYBOARDING	SWINNEY J K	09:30A 10:45A	T & TH	112	111	3
17605	OAD	103	INTERMED KEYBOARDING	SWINNEY J K	12:45P 02:00P	T & TH	112	111	3
17606	OAD	104	ADVANCED KEYBOARDING	SWINNEY J K	12:45P 02:00P	T & TH	112	112	3
17607	OAD	125	WORD PROCESSING	SOUTH D R	12:45P 02:00P	T & TH	112	113	3
17608	OAD	126	ADVANCED WORD PROCESSING	STAFF	09:30A 10:45A	M & W	112	113	3
17609	OAD	133	BUSINESS COMMUNICATIONS	MCCLINTON L T	12:45P 02:00P	M & W	112	106	3
17610	OAD	135	FINANCIAL RECORD KEEPING	SOUTH D R	08:00A 09:15A	T & TH	112	108	3
17612	OAD	138	RECORDS/INFORMATION MGMT	MCCLINTON L T	09:30A 10:45A	M & W	112	108	3
17613	OAD	200	MACHINE TRANSCRIPTION	SHERROD R M	11:00A 12:15P	M & W	112	111	3
17614	OAD	202	LEGAL TRANSCRIPTION	SHERROD R M	11:00A 12:15P	M & W	112	111	3
17615	OAD	211	MEDICAL TERMINOLOGY	SOUTH D R	08:00A 09:15A	M & W	112	106	3
17616	OAD	212	MEDICAL TRANSCRIPTION	SHERROD R M	11:00A 12:15P	M & W	112	111	3
17617	OAD	217	OFFICE MANAGEMENT	MCCLINTON L T	09:30A 10:45A	T & TH	112	107	3
17618	OAD	218	OFFICE PROCEDURES	MCCLINTON L T	08:00A 09:15A	T & TH	112	113	3
17620	OAD	233	TRENDS IN OFFICE TECHNOLO	SOUTH D R	11:00A 12:15P	T & TH	112	113	3
17622	OAD	242 *4	OFFICE INTERNSHIP	SWINNEY J K	TBA	TBA	TBA	TBA	3

**EXTENDED DAY**

17651	OAD	100B	BASIC KEYBOARDING	HARRISON M L	05:30P 06:45P	T & TH	112	111	3
17652	OAD	101	BEGINNING KEYBOARDING	HARRISON M L	05:30P 06:45P	T & TH	112	113	3
17653	OAD	103	INTERMED KEYBOARDING	HARRISON M L	07:00P 08:15P	T & TH	112	112	3
17654	OAD	104	ADVANCED KEYBOARDING	HARRISON M L	07:00P 08:15P	T & TH	112	111	3
17656	OAD	126	ADVANCED WORD PROCESSING	STAFF	05:30P 06:45P	M & W	112	113	3
17657	OAD	131	BUSINESS ENGLISH	MCGEE K A	05:30P 06:45P	M & W	112	108	3
17658	OAD	134	CAREER & PROFESSIONAL DEV	SHERROD R M	05:30P 06:45P	T & TH	112	108	3
17659	OAD	135	FINANCIAL RECORD KEEPING	MCGEE K A	07:00P 08:15P	M & W	112	108	3
17660	OAD	200	MACHINE TRANSCRIPTION	SHERROD R M	07:00P 08:15P	T & TH	112	111	3
17661	OAD	202	LEGAL TRANSCRIPTION	SHERROD R M	07:00P 08:15P	T & TH	112	111	3

**OFFICE ADMINISTRATION (cont'd)**

Section	Dept.	Number	Course Description	Instructor	Time	Days	Bldg	Rm	Hrs
17662	OAD	203	LEGAL OFFICE PROCEDURES	STAFF	08:30P 09:45P	T & TH	112	111	3
17663	OAD	212	MEDICAL TRANSCRIPTION	SHERROD R M	07:00P 08:15P	T & TH	112	111	3
17664	OAD	214	MEDICAL OFFICE PROCEDURES	STAFF	08:30P 09:45P	T & TH	112	111	3
17670	OAD	231	OFFICE APPLICATIONS	STAFF	08:30P 09:45P	M & W	112	113	3
17672	OAD	242 *4	OFFICE INTERNSHIP	SWINNEY J K	TBA	TBA	TBA	TBA	3

**PHIL CAMPBELL CAMPUS**

37601	OAD	100B	BASIC KEYBOARDING	SWINNEY J K	09:30A 10:45A	M & W	302	310	3
37602	OAD	101	BEGINNING KEYBOARDING	SWINNEY J K	09:30A 10:45A	M & W	302	310	3
37603	OAD	103	INTERMED KEYBOARDING	SWINNEY J K	09:30A 10:45A	M & W	302	310	3
37604	OAD	104	ADVANCED KEYBOARDING	SWINNEY J K	09:30A 10:45A	M & W	302	310	3
37605	OAD	126	ADVANCED WORD PROCESSING	STAFF	12:45P 02:00P	T & TH	302	310	3
37606	OAD	130	ELECTRONIC CALCULATIONS	SOUTH D R	11:00A 12:15P	M & W	302	311	3
37607	OAD	134	CAREER & PROFESSIONAL DEV	HUBKA P R	09:30A 10:45A	T & TH	302	311	3
37608	OAD	203	LEGAL OFFICE PROCEDURES	STAFF	11:00A 12:15P	T & TH	302	311	3
37609	OAD	211	MEDICAL TERMINOLOGY	SOUTH D R	12:45P 02:00P	M & W	302	311	3
37610	OAD	214	MEDICAL OFFICE PROCEDURES	STAFF	11:00A 12:15P	T & TH	302	311	3
37611	OAD	217	OFFICE MANAGEMENT	HUBKA P R	08:00A 09:15A	T & TH	302	311	3
37612	OAD	242 *4	OFFICE INTERNSHIP	SWINNEY J K	TBA	TBA	TBA	TBA	3

\*4 BY PERMISSION OF INSTRUCTOR.

**OUTDOOR LEADERSHIP****SHOALS CAMPUS**

11001	ODL	121	INTRO TO OUTDOOR LEADERSH	ENGLAND R D	02:15P 03:30P	M & W	120	126	3
11002	ODL	200	FIELD EXPERIENCE	ENGLAND R D	TBA	TBA	120	102	1
11003	ODL	221	INTERNSHIP	ENGLAND R D	TBA	TBA	120	102	1
11004	ODL	260	PRACTICUM IN TEACHING	ENGLAND R D	TBA	TBA	TBA	TBA	3
11005	ODL	299	PROS-SEMINAR IN OUTDOOR L	ENGLAND R D	TBA	TBA	120	102	3

**ORIENTATION - ACADEMIC****SHOALS CAMPUS**

18901	ORI	101 *1	ORIENTATION TO COLLEGE	HAWKINS M K	08:00A 12:00P	FRIDAY	120	128	1
18902	ORI	101 *2	ORIENTATION TO COLLEGE	WARD K B	12:30P 01:20P	T & TH	118	114	1

**EXTENDED DAY**

18951	ORI	101 *1	ORIENTATION TO COLLEGE	HAWKINS M K	05:00P 09:00P	FRIDAY	120	128	1
-------	-----	--------	------------------------	-------------	---------------	--------	-----	-----	---

**DISTANCE EDUCATION**

28901	ORI	101 *3	ORIENTATION TO COLLEGE	HAWKINS M K	TBA	TBA	TBA	TBA	1
-------	-----	--------	------------------------	-------------	-----	-----	-----	-----	---

**PHIL CAMPBELL CAMPUS**

38901	ORI	101 *1	ORIENTATION TO COLLEGE	SHACKELFORD A E	08:00A 12:00P	FRIDAY	307	002	1
-------	-----	--------	------------------------	-----------------	---------------	--------	-----	-----	---

**EXTENDED DAY**

38951	ORI	101 *1	ORIENTATION TO COLLEGE	SHACKELFORD A E	05:00P 09:00P	FRIDAY	307	002	1
-------	-----	--------	------------------------	-----------------	---------------	--------	-----	-----	---

\*1 CLASS MEETS JANUARY 4, 2008.

\*2 CLASS MEETS SECOND TERM.

\*3 SEE DISTANCE EDUCATION SECTION OF SCHEDULE FOR INFORMATION ON ON-CAMPUS MEETINGS AND/OR ONLINE ORIENTATION.

**ORIENTATION - TECHNICAL****SHOALS CAMPUS**

14501	ORT	100 *1	ORIENT. FOR CAREER STUDEN	HAWKINS M K	08:00A 12:00P	FRIDAY	120	128	1
-------	-----	--------	---------------------------	-------------	---------------	--------	-----	-----	---

**EXTENDED DAY**

14550	ORT	100 *1	ORIENT. FOR CAREER STUDEN	HAWKINS M K	05:00P 09:00P	FRIDAY	120	128	1
-------	-----	--------	---------------------------	-------------	---------------	--------	-----	-----	---

**PHIL CAMPBELL CAMPUS**

34501	ORT	100 *1	ORIENT. FOR CAREER STUDEN	SHACKELFORD A E	08:00A 12:00P	FRIDAY	307	002	1
-------	-----	--------	---------------------------	-----------------	---------------	--------	-----	-----	---

**EXTENDED DAY**

34551	ORT	100 *1	ORIENT. FOR CAREER STUDEN	SHACKELFORD A E	05:00P 09:00P	FRIDAY	307	002	1
-------	-----	--------	---------------------------	-----------------	---------------	--------	-----	-----	---

\*1 CLASS MEETS JANUARY 4, 2008.

**First Mini-Term Classes - January 7-February 28, 2008**  
**Second Mini-Term Classes - March 3-April 30, 2008**

## PHYSICAL EDUCATION

Section	Dept.	Number	Course Description	Instructor	Time	Days	Bldg	Rm	Hrs
<b>SHOALS CAMPUS</b>									
17701	PED	104	WEIGHT TRAINING: INTERMED	LEE M C	01:00P 02:15P	M & W	118	113	1
17702	PED	104 *4	WEIGHT TRAINING: INTERMED	LEE M C	TBA	TBA	118	113	1
17703	PED	105 *5	PERSONAL FITNESS	LEE M C	TBA	TBA	118	111	1
17704	PED	106	AEROBICS	LEE M C	12:30P 01:20P	T & TH	118	000	1
17705	PED	118 *5	BEGINNING CONDITIONING	LEE M C	TBA	TBA	118	111	1
17706	PED	119 *5	GENERAL CONDITIONING: INT	LEE M C	TBA	TBA	118	111	1
17707	PED	188	YOGA	LEE M C	11:25A 12:15P	T & TH	118	000	1
17720	PED	226A *6	HIKING-INTRO BACKPACKING	ENGLAND R D	TBA	TBA	120	102	1
17721	PED	226A *6, *7	HIKING	ENGLAND R D	TBA	TBA	120	102	1
17722	PED	226A *6	HIKING-INTRO ROCK CLIMBING	ENGLAND R D	TBA	TBA	120	102	1
17723	PED	246A *6	CAMPING-INTRO BACKPACKING	ENGLAND R D	TBA	TBA	120	102	1
17724	PED	246B *6, *7	CAMPING	ENGLAND R D	TBA	TBA	120	102	1
17725	PED	246A *6	CAMPING-INTRO ROCK CLIMBING	ENGLAND R D	TBA	TBA	120	102	1
17730	PED	251	VARSITY BASKETBALL	WARD K B	TBA	TBA	118	110	1
17731	PED	252	VARSITY BASEBALL	WARD K B	TBA	TBA	118	110	1
17732	PED	255	VARSITY TENNIS	WARD K B	TBA	TBA	118	110	1

### EXTENDED DAY

17751	PED	105 *5	PERSONAL FITNESS	LEE M C	TBA	TBA	118	111	1
17752	PED	118 *5	BEGINNING CONDITIONING	LEE M C	TBA	TBA	118	111	1
17753	PED	119 *5	GENERAL CONDITIONING: INT	LEE M C	TBA	TBA	118	111	1

### DISTANCE EDUCATION

27701	PED	123 *3	GOLF: BEGINNING	LEE M C	TBA	TBA	TBA	TBA	1
27702	PED	124 *3	GOLF: INTERMEDIATE	LEE M C	TBA	TBA	TBA	TBA	1

### PHIL CAMPBELL CAMPUS

37701	PED	103	WEIGHT TRAINING: BEGIN	SHACKELFORD A E	TBA	T & TH	308	102	1
37702	PED	103	WEIGHT TRAINING: BEGIN	SHACKELFORD A E	11:00A 11:50A	T & TH	308	102	1
37703	PED	104	WEIGHT TRAINING: INTERMED	SHACKELFORD A E	TBA	TBA	308	102	1
37704	PED	104	WEIGHT TRAINING: INTERMED	SHACKELFORD A E	11:00A 11:50A	T & TH	308	102	1
37705	PED	105	PERSONAL FITNESS	SHACKELFORD A E	TBA	M & W	308	102	1
37706	PED	109	JOGGING	SHACKELFORD A E	TBA	M & W	308	102	1
37707	PED	118	BEGINNING CONDITIONING	SHACKELFORD A E	TBA	M & W	308	102	1
37721	PED	226A *6	HIKING-INTRO BACKPACKING	ENGLAND R D	TBA	TBA	308	000	1
37722	PED	226B *6, *7	HIKING	ENGLAND R D	TBA	TBA	308	000	1
37723	PED	246A *6	CAMPING-INTRO BACKPACKING	ENGLAND R D	TBA	TBA	308	000	1
37724	PED	246B *6, *7	CAMPING	ENGLAND R D	TBA	TBA	308	000	1
37731	PED	251	VARSITY BASKETBALL	WARD K B	TBA	TBA	TBA	TBA	1
37732	PED	253	VARSITY GOLF	WARD K B	TBA	TBA	308	000	1
37733	PED	257	VARSITY CHERLEADING	WARD K B	TBA	TBA	308	000	1
37734	PED	259	VARSITY CROSS COUNTRY	WARD K B	TBA	TBA	308	000	1

### EXTENDED DAY

37751	PED	171	BASKETBALL: BEGINNING	SHACKELFORD A E	06:00P 06:50P	M T W TH	308	000	1
37752	PED	172	BASKETBALL: INTERMEDIATE	SHACKELFORD A E	06:00P 06:50P	M T W TH	308	000	1

\*3 SEE DISTANCE EDUCATION SECTION OF SCHEDULE FOR INFORMATION ON ON-CAMPUS MEETINGS AND/OR ONLINE ORIENTATION.

\*4 FOR ATHLETES ONLY.

\*5 SEE INSTRUCTOR FOR EVALUATION/INSTRUCTIONS.

\*6 STUDENTS SHOULD CONTACT DR. ENGLAND.

\*7 DOGSLEDDING TRIP TO MINNESOTA. ADDITIONAL FEE REQUIRED.

## PHYSICAL SCIENCE

### SHOALS CAMPUS

17901	PHS	111	PHYSICAL SCIENCE I	EUBANKS C J	09:30A 10:45A	M & W	123	129	4
****	PHS	111	PHYSICAL SCIENCE I LAB	EUBANKS C J	09:00A 10:50A	FRIDAY	123	132	0
17903	PHS	112	PHYSICAL SCIENCE II	HOWARD T G	12:45P 03:15P	T & TH	122	194	4
17906	PHS	112	PHYSICAL SCIENCE II	MURPHY M D	12:45P 03:15P	M & W	123	132	4
17908	PHS	112	PHYSICAL SCIENCE II	EUBANKS C J	08:00A 01:00P	SATURDAY	123	129	4

### EXTENDED DAY

17954	PHS	111	PHYSICAL SCIENCE I	EUBANKS C J	05:00P 07:30P	T & TH	123	129	4
17956	PHS	112	PHYSICAL SCIENCE II	MURPHY M D	05:00P 07:30P	M & W	123	129	4
17958	PHS	120	ENVIRONMENTAL SCIENCE	STAFF	05:00P 07:30P	T & TH	121	151	4

### PHIL CAMPBELL CAMPUS

37902	PHS	112	PHYSICAL SCIENCE II	MURPHY M D	09:30A 10:45A	T & TH	303	009	4
****	PHS	112	PHYSICAL SCIENCE II LAB	MURPHY M D	12:45P 02:45P	TUESDAY	303	010	0

**PHYSICS**

Section	Dept.	Number	Course Description	Instructor	Time	Days	Bldg	Rm	Hrs
<b>SHOALS CAMPUS</b>									
18002	PHY	115	TECHNICAL PHYSICS	HOWARD T G	12:45P 02:00P	M & W	122	194	4
*****	PHY	115	TECHNICAL PHYSICS LAB	HOWARD T G	12:00P 02:00P	FRIDAY	122	194	0
18003	PHY	202	GEN PHYSICS II-TRIG BASED	HOWARD T G	09:30A 10:45A	T & TH	122	194	4
*****	PHY	202	GEN PHYSICS II-TRIG BASED LAB	HOWARD T G	08:00A 10:00A	FRIDAY	122	194	0
18005	PHY	214	GEN PHYSICS WITH CAL II	HOWARD T G	11:00A 12:15P	M & W	122	194	4
*****	PHY	214	GEN PHYSICS WITH CAL II LAB	HOWARD T G	10:00A 12:00P	FRIDAY	122	194	0
<b>EXTENDED DAY</b>									
18050	PHY	115	TECHNICAL PHYSICS	HOWARD T G	05:00P 07:30P	M & W	122	194	4

**POLITICAL SCIENCE**

<b>SHOALS CAMPUS</b>									
18101	POL	211 *4, *5	AMERICAN NATIONAL GOVERNMENT	BALTES J T	09:30A 10:45A	M & W	121	141	3
<b>PHIL CAMPBELL CAMPUS</b>									
38101	POL	211 *4, *5	AMERICAN NATIONAL GOVERNMENT	BALTES J T	09:30A 10:45A	M & W	306	013	3

\*4 TELECONFERENCE COURSE.  
\*5 THIS COURSE MAY ALSO BE TAKEN FOR HONORS CREDIT.  
HONOR STUDENTS ARE REQUIRED TO TAKE IDS 115 FORUM (1 SEMESTER HOUR).

**PSYCHOLOGY**

<b>SHOALS CAMPUS</b>									
18301	PSY	106	CAREER EXPLORATION	WAIDE L O	09:00A 12:00P	M & F	100	108	1
18302	PSY	106	CAREER EXPLORATION	WAIDE L O	09:00A 12:00P	M & F	100	108	1
18303	PSY	107	STUDY SKILLS	WALKER C A	11:00A 12:15P	WED	112	101	1
18304	PSY	110	PERSONAL DEVELOPMENT	WAIDE L O	09:00A 12:00P	WED	100	108	3
18305	PSY	110	PERSONAL DEVELOPMENT	WAIDE L O	09:00A 12:00P	WED	100	108	3
18306	PSY	200	GENERAL PSYCHOLOGY	STONE R A	08:00A 09:15A	M & W	120	129	3
18307	PSY	200	GENERAL PSYCHOLOGY	STONE R A	08:00A 09:15A	T & TH	120	129	3
18308	PSY	200	GENERAL PSYCHOLOGY	BRACKINS K A	08:00A 10:45A	FRIDAY	120	129	3
18309	PSY	200	GENERAL PSYCHOLOGY	SISERIR	12:45P 02:00P	T & TH	120	129	3
18310	PSY	210	HUMAN GROWTH & DEVELOPMENT	STONE R A	09:30A 10:45A	M & W	120	129	3
18311	PSY	210	HUMAN GROWTH & DEVELOPMENT	STONE R A	09:30A 10:45A	T & TH	120	129	3
<b>EXTENDED DAY</b>									
18351	PSY	200	GENERAL PSYCHOLOGY	DANIEL H E	05:30P 06:45P	T & TH	120	129	3
18352	PSY	210	HUMAN GROWTH & DEVELOPMENT	DANIEL H E	07:00P 08:15P	T & TH	120	129	3
<b>DISTANCE EDUCATION</b>									
28301	PSY	107 *3	STUDY SKILLS	WALKER C A	TBA	TBA	TBA	TBA	1
28302	PSY	200 *3	GENERAL PSYCHOLOGY	STONE R A	TBA	TBA	120	000	3
28303	PSY	200 *3	GENERAL PSYCHOLOGY	NICHOLS	TBA	TBA	120	000	3
28304	PSY	210 *3	HUMAN GROWTH & DEVELOPMENT	STONE R A	TBA	TBA	120	000	3
28305	PSY	210 *3	HUMAN GROWTH & DEVELOPMENT	SISERIR	TBA	TBA	120	000	3
<b>PHIL CAMPBELL CAMPUS</b>									
38301	PSY	200	GENERAL PSYCHOLOGY	BRACKINS K A	08:00A 09:15A	M & W	307	005	3
38302	PSY	200	GENERAL PSYCHOLOGY	BRACKINS K A	12:45P 02:00P	T & TH	307	005	3
38303	PSY	210	HUMAN GROWTH & DEVELOPMENT	BRACKINS K A	11:00A 12:15P	M & W	307	005	3
38304	PSY	210	HUMAN GROWTH & DEVELOPMENT	BRACKINS K A	09:30A 10:45A	T & TH	307	005	3
<b>EXTENDED DAY</b>									
38351	PSY	200	GENERAL PSYCHOLOGY	NICHOLS J P	05:30P 06:45P	T & TH	302	308	3

\*3 SEE DISTANCE EDUCATION SECTION OF SCHEDULE FOR INFORMATION ON ON-CAMPUS MEETINGS AND/OR ONLINE ORIENTATION.

**READING**

<b>SHOALS CAMPUS</b>									
12703	RDG	085	DEVELOPMENTAL RDG III	STAFF	09:30A 10:45A	T & TH	110	104	3
12704	RDG	085	DEVELOPMENTAL RDG III	STAFF	11:00A 12:15P	T & TH	110	104	3
12705	RDG	085	DEVELOPMENTAL RDG III	STAFF	08:00A 09:15A	M & W	110	104	3
<b>EXTENDED DAY</b>									
12753	RDG	085	DEVELOPMENTAL RDG III	STAFF	05:30P 06:45P	T & TH	110	104	3
<b>PHIL CAMPBELL CAMPUS</b>									
32701	RDG	085	DEVELOPMENTAL RDG III	STAFF	09:30A 10:45A	T & TH	307	031	3

**SOCIOLOGY**

Section	Dept.	Number	Course Description	Instructor	Time	Days	Bldg	Rm	Hrs	
<b>SHOALS CAMPUS</b>										
19101	SOC	200	INTRO TO SOCIOLOGY	SEALY P M	02:15P 03:30P	M & W	120	129	3	
19102	SOC	200	INTRO TO SOCIOLOGY	SEALY P M	09:30A 10:45A	T & TH	120	127	3	
19103	SOC	200	INTRO TO SOCIOLOGY	SEALY P M	11:00A 12:15P	T & TH	120	129	3	
19104	SOC	210	SOCIAL PROBLEMS	SEALY P M	12:45P 02:00P	M & W	120	129	3	
<b>EXTENDED DAY</b>										
19151	SOC	200	INTRO TO SOCIOLOGY	IRWIN C J	05:30P 06:45P	M & W	120	126	3	
<b>DISTANCE EDUCATION</b>										
29101	SOC	200 *3	INTRO TO SOCIOLOGY	SEALY P M	TBA	TBA	120	000	3	
<b>PHIL CAMPBELL CAMPUS</b>										
39101	SOC	200	INTRO TO SOCIOLOGY	SEALY P M	09:30A 10:45A	M & W	302	304	3	

\*3 SEE DISTANCE EDUCATION SECTION OF SCHEDULE FOR INFORMATION ON ON-CAMPUS MEETINGS AND/OR ONLINE ORIENTATION.

**SPANISH**

<b>SHOALS CAMPUS</b>										
18701	SPA	101	INTRODUCTORY SPANISH I	CRACRAFT J L	10:00A 11:50A	M & W	120	122	4	
18702	SPA	102	INTRODUCTORY SPANISH II	CRACRAFT J L	12:20P 02:10P	M & W	120	122	4	
<b>PHIL CAMPBELL CAMPUS</b>										
<b>EXTENDED DAY</b>										
38751	SPA	101	INTRODUCTORY SPANISH I	JOHNSON M E	05:00P 06:50P	T & TH	302	104	4	
38752	SPA	102	INTRODUCTORY SPANISH II	JOHNSON M E	07:00P 08:50P	T & TH	302	104	4	

**SPEECH**

<b>SHOALS CAMPUS</b>										
18601	SPH	107	FUND OF PUBLIC SPEAKING	EDWARDS R F	08:00A 09:15A	M & W	112	101	3	
18602	SPH	107	FUND OF PUBLIC SPEAKING	EDWARDS R F	11:00A 12:15P	M & W	112	101	3	
18603	SPH	107	FUND OF PUBLIC SPEAKING	EDWARDS R F	08:00A 09:15A	T & TH	112	101	3	
18604	SPH	107	FUND OF PUBLIC SPEAKING	EDWARDS R F	09:30A 10:45A	T & TH	112	101	3	
18605	SPH	107	FUND OF PUBLIC SPEAKING	EDWARDS R F	12:45P 02:00P	T & TH	112	101	3	
<b>EXTENDED DAY</b>										
18651	SPH	107	FUND OF PUBLIC SPEAKING	EDWARDS R F	05:30P 06:45P	M & W	112	101	3	
<b>PHIL CAMPBELL CAMPUS</b>										
38601	SPH	107 *4	FUND OF PUBLIC SPEAKING	LONG G L	08:00A 09:15A	M & W	302	309	3	
38602	SPH	107 *4	FUND OF PUBLIC SPEAKING	LONG G L	11:00A 12:15P	M & W	302	309	3	
<b>EXTENDED DAY</b>										
38651	SPH	107 *4	FUND OF PUBLIC SPEAKING	LONG G L	05:30P 08:00P	MONDAY	302	309	3	

\*4 THIS COURSE MAY ALSO BE TAKEN FOR HONORS CREDIT.

HONOR STUDENTS ARE REQUIRED TO TAKE IDS 115 FORUM (1 SEMESTER HOUR).

**THEATER**

<b>SHOALS CAMPUS</b>										
13501	THR	120	THEATER APPRECIATION	JAMES C D	12:45P 02:00P	M & W	110	111	3	
<b>PHIL CAMPBELL CAMPUS</b>										
33501	THR	113 *4	THEATER WORKSHOP I	MCALISTER W L	TBA	TBA	TBA	TBA	2	
33502	THR	113	THEATER WORKSHOP I	MCALISTER J J	02:15P 04:15P	T & TH	310	000	2	
33503	THR	114 *4	THEATER WORKSHOP II	MCALISTER W L	TBA	TBA	TBA	TBA	2	
33504	THR	114	THEATER WORKSHOP II	MCALISTER J J	02:15P 04:15P	T & TH	310	000	2	
33505	THR	115 *4	THEATER WORKSHOP III	MCALISTER W L	TBA	TBA	TBA	TBA	2	
33506	THR	115	THEATER WORKSHOP III	MCALISTER J J	02:15P 04:15P	T & TH	310	000	2	
33507	THR	120	THEATER APPRECIATION	JAMES C D	09:30A 10:45A	M & W	310	025	3	
33508	THR	131	ACTING TECHNIQUES I	MCALISTER W L	12:45P 02:00P	M & W	310	000	3	
33509	THR	142	INTRO TO DANCE II	MCALISTER W L	TBA	TBA	TBA	TBA	1	
33510	THR	213 *4	THEATER WORKSHOP IV	MCALISTER W L	TBA	TBA	TBA	TBA	2	
33511	THR	213	THEATER WORKSHOP IV	MCALISTER J J	02:15P 04:15P	T & TH	310	000	2	
33512	THR	214 *4	THEATER WORKSHOP V	MCALISTER W L	TBA	TBA	TBA	TBA	2	
33513	THR	214	THEATER WORKSHOP V	MCALISTER J J	02:15P 04:15P	T & TH	310	000	2	
33514	THR	215 *4	THEATER WORKSHOP VI	MCALISTER W L	TBA	TBA	TBA	TBA	2	
33515	THR	215	THEATER WORKSHOP VI	MCALISTER J J	02:15P 04:15P	T & TH	310	000	2	

\*4 TOYLAND ONLY.

**WELDING**

Section	Dept.	Number	Course Description	Instructor	Time	Days	Bldg	Rm	Hrs
<b>SHOALS CAMPUS</b>									
13001	WDT	108 *1	SMAW FILLET/OFC	STAFF	08:00A 09:15A	M T W TH	108	000	3
13002	WDT	109 *2	SMAW FILLET/PAC/CAC	STAFF	08:00A 09:15A	M T W TH	108	000	3
13003	WDT	119 *1	GAS METAL ARC/FLUX CORED ARC	STAFF	08:00A 09:15A	M T W TH	108	000	3
13004	WDT	120 *2	SHIELDED METAL ARC WELDING GROOVE	STAFF	08:00A 09:15A	M T W TH	108	000	3
13005	WDT	122 *1	SMAW FILLET/OFC LAB	STAFF	09:15A 11:30A	M T W TH	108	000	3
*****	WDT	122 *1	SMAW FILLET/OFC LAB	STAFF	12:30P 02:45P	M T W TH	108	000	0
13006	WDT	123 *2	SMAW FILLET/PAC/CAC LAB	STAFF	09:15A 11:30A	M T W TH	108	000	3
*****	WDT	123 *2	SMAW FILLET/PAC/CAC LAB	STAFF	12:30P 02:45P	M T W TH	108	000	0
13007	WDT	124 *1	GAS METAL ARC/FLUX CORED ARC LAB	STAFF	09:15A 11:30A	M T W TH	108	000	3
*****	WDT	124 *1	GAS METAL ARC/FLUX CORED ARC LAB	STAFF	12:30P 02:45P	M T W TH	108	000	0
13008	WDT	125 *2	SHIELDED METAL ARC WELDING LAB	STAFF	09:15A 11:30A	M T W TH	108	000	3
*****	WDT	125 *2	SHIELDED METAL ARC WELDING LAB	STAFF	12:30P 02:45P	M T W TH	108	000	0
13009	WDT	181	SPECIAL TOPICS IN WELDING	STAFF	TBA	TBA	108	000	3
13010	WDT	184	SPECIAL TOPICS IN WELDING	STAFF	TBA	TBA	108	000	3
13011	WDT	228 *1	GAS TUNGSTEN ARC WELDING THEORY	STAFF	01:30P 02:45P	M T W TH	108	000	3
13012	WDT	268 *1	GAS TUNGSTEN ARC LAB	STAFF	08:00A 11:30A	M T W TH	108	000	3
*****	WDT	268 *1	GAS TUNGSTEN ARC LAB	STAFF	12:30P 01:30P	M T W TH	108	000	0
13013	WDT	217 *2	SMAW CARBON PIPE THEORY	STAFF	01:30P 02:45P	M T W TH	108	000	3
13014	WDT	257 *2	SMAW CARBON PIPE LAB	STAFF	08:00A 11:30A	M T W TH	108	000	3
*****	WDT	257 *2	SMAW CARBON PIPE LAB	STAFF	12:30P 01:30P	M T W TH	108	000	0
<b>EXTENDED DAY</b>									
13051	WDT	108 *1	SMAW FILLET/OFC	STAFF	04:00P 06:30P	M & W	108	000	3
13052	WDT	109 *2	SMAW FILLET/PAC/CAC	STAFF	04:00P 06:30P	M & W	108	000	3
13065	WDT	115	GTAW CARBON PIPE THEORY	STAFF	04:30P 06:00P	T & TH	108	000	3
13053	WDT	119 *1	GAS METAL ARC/FLUX CORED ARC	STAFF	04:00P 06:30P	T & TH	108	000	3
13054	WDT	120 *2	SHIELDED METAL ARC WELDING GROOVE	STAFF	04:00P 06:30P	T & TH	108	000	3
13055	WDT	122 *1	SMAW FILLET/OFC LAB	STAFF	06:30P 11:00P	M T W TH	108	000	3
13056	WDT	123 *2	SMAW FILLET/PAC/CAC LAB	STAFF	06:30P 11:00P	M T W TH	108	000	3
13057	WDT	124 *1	GAS METAL ARC/FLUX CORED ARC LAB	STAFF	06:30P 11:00P	M T W TH	108	000	3
13058	WDT	125 *2	SHIELDED METAL ARC WELDING LAB	STAFF	06:30P 11:00P	M T W TH	108	000	3
13066	WDT	155	GTAW CARBON PIPE LAB	STAFF	06:00P 10:30P	T & TH	108	000	3
13059	WDT	181	SPECIAL TOPICS IN WELDING	STAFF	TBA	TBA	108	000	3
13060	WDT	184	SPECIAL TOPICS IN WELDING	STAFF	TBA	TBA	108	000	3
13063	WDT	228	GAS TUNGSTEN ARC WELDING THEORY	STAFF	04:30P 06:00P	M & W	108	000	3
13064	WDT	268	GAS TUNGSTEN ARC LAB	STAFF	06:00P 10:30P	M & W	108	000	3

**WASTEWATER MANAGEMENT****SHOALS CAMPUS****EXTENDED DAY**

19951	WMT	100	WATER SUPPLY & WASTE W CON	DICKERSHEID P B	05:30P 08:15P	THURSDAY	120	120	3
19952	WMT	102	INTRO TO WASTEWATER TREAT PROC	MOORE D B	05:30P 08:15P	TUESDAY	120	120	3

**FRIDAY/SATURDAY CLASSES****SHOALS CAMPUS**

13810	EMS	107 *4	EMERG VEHICLE OPR AMBULAN	STAFF	08:00A 04:00P	FRI & SAT	122	168	1
13811	EMS	107 *4	EMERG VEHICLE OPR AMBULAN	STAFF	08:00A 04:00P	FRI & SAT	122	169	1

\*4 SEE MAIN SECTION UNDER EMS FOR CLASS DATES AND DETAILS.

**SATURDAY CLASSES****SHOALS CAMPUS**

15239	BIO	202	HUMAN ANATOMY & PHYSIO II	STAFF	08:00A 01:00P	SATURDAY	123	109	4
13801	EMS	100 *4	CARDIOPULMONARY RESUS I	STAFF	08:00A 04:00P	SATURDAY	122	160	1
13802	EMS	100 *4	CARDIOPULMONARY RESUS I	STAFF	08:00A 04:00P	SATURDAY	122	160	1
13803	EMS	100 *4	CARDIOPULMONARY RESUS I	STAFF	08:00A 04:00P	SATURDAY	122	160	1
13805	EMS	100 *4	CARDIOPULMONARY RESUS I	STAFF	08:00A 04:00P	SATURDAY	122	160	1
17908	PHS	112	PHYSICAL SCIENCE II	EUBANKS C J	08:00A 01:00P	SATURDAY	123	129	4

\*4 SEE MAIN SECTION UNDER EMS FOR CLASS DATES AND DETAILS.

**SHORT TERM CLASSES**

Section	Dept.	Number	Course Description	Instructor	Time	Days	Bldg	Rm	Hrs
<b>SHOALS CAMPUS</b>									
13801	EMS	100 *4	CARDIOPULMONARY RESUS I	STAFF	08:00A 04:00P	SATURDAY	122	160	1
13802	EMS	100 *4	CARDIOPULMONARY RESUS I	STAFF	08:00A 04:00P	SATURDAY	122	160	1
13803	EMS	100 *4	CARDIOPULMONARY RESUS I	STAFF	08:00A 04:00P	SATURDAY	122	160	1
13805	EMS	100 *4	CARDIOPULMONARY RESUS I	STAFF	08:00A 04:00P	SATURDAY	122	160	1
13810	EMS	107 *4	EMERG VEHICLE OPR AMBULAN	STAFF	08:00A 04:00P	FRI & SAT	122	168	1
13811	EMS	107 *4	EMERG VEHICLE OPR AMBULAN	STAFF	08:00A 04:00P	FRI & SAT	122	169	1
18901	ORI	101 *5	ORIENTATION TO COLLEGE	HAWKINS M K	08:00A 12:00P	FRIDAY	120	128	1
14501	ORT	100 *5	ORIENT. FOR CAREER STUDEN	HAWKINS M K	08:00A 12:00P	FRIDAY	120	128	1
<b>EXTENDED DAY</b>									
18951	ORI	101 *5	ORIENTATION TO COLLEGE	HAWKINS M K	05:00P 09:00P	FRIDAY	120	128	1
14550	ORT	100 *5	ORIENT. FOR CAREER STUDEN	HAWKINS M K	05:00P 09:00P	FRIDAY	120	128	1
<b>PHIL CAMPBELL CAMPUS</b>									
38901	ORI	101 *5	ORIENTATION TO COLLEGE	SHACKELFORD A E	08:00A 12:00P	FRIDAY	307	002	1
34501	ORT	100 *5	ORIENT. FOR CAREER STUDEN	SHACKELFORD A E	08:00A 12:00P	FRIDAY	307	002	1
<b>EXTENDED DAY</b>									
38951	ORI	101 *5	ORIENTATION TO COLLEGE	SHACKELFORD A E	05:00P 09:00P	FRIDAY	307	002	1
34551	ORT	100 *5	ORIENT. FOR CAREER STUDEN	SHACKELFORD A E	05:00P 09:00P	FRIDAY	307	002	1

\*4 SEE MAIN SECTION UNDER EMS FOR CLASS DATES AND DETAILS.

\*5 CLASS MEETS JANUARY 4, 2008.

**FIRST MINI-TERM CLASSES (January 7-February 28)****SHOALS CAMPUS**

11201	ACR	111	REFRIGERATION PRINCIPLES	HALL H B	08:10A 11:00A	T & TH	102	000	3
*****	ACR	111	REFRIGERATION PRINCIPLES LAB	HALL H B	11:30A 02:40P	T & TH	102	000	0
15232	BIO	201	HUMAN ANATOMY & PHYSIO I	PACE B D	08:00A 10:00A	M W F	123	103	4
*****	BIO	201	HUMAN ANATOMY & PHYSIO I LAB	PACE B D	10:15A 12:15P	M & W	123	124	0
12611	BSS	115	SUCCESS AND STUDY SKILLS	WAIDE L O	09:00A 10:00A	M & F	100	108	1
12612	BSS	120	CAREER ASSESSMENT	WAIDE L O	10:00A 11:00A	M & F	100	108	1
12613	BSS	121	MANAGING A TEAM	WAIDE L O	11:00A 12:00P	M & F	100	108	1
12614	BSS	220	PROFESSIONAL TRANSITION	WAIDE L O	09:00A 12:00P	WED	100	108	1
11504	CAR	112	FLOORS, WALLS, SITE PREP	HARDY C D	08:00A 11:00A	T & TH	109	000	3
11505	CAR	113	FLOORS, WALLS, SITE PREP LAB	HARDY C D	08:00A 11:00A	M W F	109	000	3
*****	CAR	113	FLOORS LAB	HARDY C D	12:00P 01:30P	M & W	109	000	0
*****	CAR	113	FLOORS LAB	HARDY C D	11:30A 01:30P	T & TH	109	000	0
11912	DDT	111	FUND OF DRAFTING & DESIGN	RICE A O	11:00A 04:00P	M & W	105	106	3
12120	ILT	129	PC HARDWARE	HARRISON W S	01:00P 03:30P	M T W TH	103	112	3
10203	INT	128	PRIN OF INDUST ENVIR CONTROL	HALL H B	08:10A 11:00A	T & TH	102	000	3
*****	INT	128	PRIN OF INDUST ENVIR CONTROL LBA	HALL H B	11:30A 02:40P	T & TH	102	000	0
12502	MSP	105	LATHES	MAUPIN T H	08:00A 09:40A	MONDAY	105	000	3
*****	MSP	105	LATHES LAB	MAUPIN T H	01:00P 03:00P	W TH F	105	000	0
*****	MSP	105	LATHES LAB	MAUPIN T H	10:00A 12:00P	THURSDAY	105	000	0
*****	MSP	105	LATHES LAB	MAUPIN T H	08:00A 12:00P	FRIDAY	105	000	0
12503	MSP	112	BASIC CNC TURNING	MAUPIN T H	08:00A 12:00P	M W F	105	000	3
*****	MSP	112	BASIC CNC TURNING LAB	MAUPIN T H	08:00A 10:00A	TUESDAY	105	000	0
12504	MSP	113	BASIC CNC MILLING	MAUPIN T H	01:00P 03:00P	M THRU F	105	000	3
*****	MSP	113	BASIC CNC MILLING LAB	MAUPIN T H	10:00A 12:00P	T & TH	105	000	0
*****	MSP	113	BASIC CNC MILLING LAB	MAUPIN T H	08:00A 10:00A	THURSDAY	105	000	0
12507	MSP	124	ADVANCE BLUEPRINTING	MAUPIN T H	09:50A 11:30A	M & W	105	000	2
12510	MSP	181	SPECIAL TOPICS IN MSP	MAUPIN T H	10:00A 12:00P	TUESDAY	105	000	2
*****	MSP	181	SPECIAL TOPICS IN MSP LAB	MAUPIN T H	01:00P 03:00P	TUESDAY	105	000	0
*****	MSP	181	SPECIAL TOPICS IN MSP LAB	MAUPIN T H	08:00A 09:40A	WED	105	000	0
13001	WDT	108	SMAW FILLET/OFC	STAFF	08:00A 09:15A	M T W TH	108	000	3
13003	WDT	119	GAS METAL ARC/FLUX CORED ARC	STAFF	08:00A 09:15A	M T W TH	108	000	3
13005	WDT	122	SMAW FILLET/OFC LAB	STAFF	09:15A 11:30A	M T W TH	108	000	3
*****	WDT	122	SMAW FILLET/OFC LAB	STAFF	12:30P 02:45P	M T W TH	108	000	0
13007	WDT	124	GAS METAL ARC/FLUX CORED ARC LAB	STAFF	09:15A 11:30A	M T W TH	108	000	3
*****	WDT	124	GAS METAL ARC/FLUX CORED ARC LAB	STAFF	12:30P 02:45P	M T W TH	108	000	0
13011	WDT	228	GAS TUNGSTEN ARC WELDING THEORY	STAFF	01:30P 02:45P	M T W TH	108	000	3
13012	WDT	268	GAS TUNGSTEN ARC LAB	STAFF	08:00A 11:30A	M T W TH	108	000	3
*****	WDT	268	GAS TUNGSTEN ARC LAB	STAFF	12:30P 01:30P	M T W TH	108	000	0
<b>EXTENDED DAY</b>									
13051	WDT	108	SMAW FILLET/OFC	STAFF	04:00P 06:30P	M & W	108	000	3
13053	WDT	119	GAS METAL ARC/FLUX CORED ARC	STAFF	04:00P 06:30P	T & TH	108	000	3
13055	WDT	122	SMAW FILLET/OFC LAB	STAFF	06:30P 11:00P	M T W TH	108	000	3
13057	WDT	124	GAS METAL ARC/FLUX CORED ARC LAB	STAFF	06:30P 11:00P	M T W TH	108	000	3

**SECOND MINI-TERM CLASSES (March 3-April 30)**

Section	Dept.	Number	Course Description	Instructor	Time	Days	Bldg	Rm	Hrs
<b>SHOALS CAMPUS</b>									
11202	ACR	113	REFRIG PIPING PRACTICES	HALL H B	08:10A 11:00A	T & TH	102	000	3
*****	ACR	113	REFRIG PIPING PRACTICES LAB	HALL H B	11:30A 02:40P	T & TH	102	000	0
15240	BIO	202	HUMAN ANATOMY & PHYSIO II	PACE B D	08:00A 10:00A	M W F	123	103	4
*****	BIO	202	HUMAN ANATOMY & PHYSIO II LAB	PACE B D	10:15A 12:15P	M & W	123	124	0
12616	BSS	115	SUCCESS AND STUDY SKILLS	WAIDE L O	09:00A 10:00A	M & F	100	108	1
12617	BSS	120	CAREER ASSESSMENT	WAIDE L O	10:00A 11:00A	M & F	100	108	1
12618	BSS	121	MANAGING A TEAM	WAIDE L O	11:00A 12:00P	M & F	100	108	1
12619	BSS	220	PROFESSIONAL TRANSITION	WAIDE L O	09:00A 12:00P	WED	100	108	1
11506	CAR	131	ROOF & CEILING SYSTEMS	HARDY C D	08:00A 11:00A	T & TH	109	000	3
11507	CAR	133	ROOF & CEILING SYS LAB	HARDY C D	08:00A 11:30A	M W F	109	000	3
*****	CAR	133	ROOF & CEILING SYS LAB	HARDY C D	12:00P 01:30P	M & W	109	000	0
*****	CAR	133	ROOF & CEILING SYS LAB	HARDY C D	11:30A 01:30P	T & TH	109	000	0
11914	DDT	124	BASIC TECHNICAL DRAWING	RICE A O	11:00A 04:00P	M & W	105	106	3
12121	ILT	130	PC SOFTWARE INSTAL & MAIN	HARRISON W S	01:00P 03:30P	M T W TH	103	112	3
10202	INT	127	PRIN OF INDUS PUMPS/PIPING	HALL H B	08:10A 11:00A	T & TH	102	000	3
*****	INT	127	PRIN OF INDUS PUMPS/PIPING LAB	HALL H B	11:30A 02:40P	T & TH	102	000	0
12506	MSP	122	MILLING MACHINES	MAUPIN T H	10:00A 12:00P	M T & TH	105	000	3
*****	MSP	122	MILLING MACHINES LAB	MAUPIN T H	01:00P 03:00P	M T & TH	105	000	0
*****	MSP	122	MILLING MACHINES LAB	MAUPIN T H	08:00A 09:40A	MONDAY	105	000	0
12508	MSP	127	CAM	MAUPIN T H	10:00A 12:00P	M THRU F	105	000	6
*****	MSP	127	CAM LAB	MAUPIN T H	01:00P 03:00P	M THRU F	105	000	0
*****	MSP	127	CAM LAB	MAUPIN T H	08:00A 10:00A	T & TH	105	000	0
*****	MSP	127	CAM LAB	MAUPIN T H	08:00A 10:00A	FRIDAY	105	000	0
12509	MSP	131	INTRODUCTION TO METALLURG	MAUPIN T H	08:00A 12:00P	WED	105	000	2
*****	MSP	131	INTRODUCTION TO METALLURG LAB	MAUPIN T H	01:00P 03:00P	WED	105	000	0
18902	ORI	101	ORIENTATION TO COLLEGE	WARD K B	12:30P 01:20	T & TH	118	114	1
13002	WDT	109	SMAW FILLET/PAC/CAC	STAFF	08:00A 09:15A	M T W TH	108	000	3
13004	WDT	120	SHIELDED METAL ARC WELDING GROOVE	STAFF	08:00A 09:15A	M T W TH	108	000	3
13006	WDT	123	SMAW FILLET/PAC/CAC LAB	STAFF	09:15A 11:30A	M T W TH	108	000	3
*****	WDT	123	SMAW FILLET/PAC/CAC LAB	STAFF	12:30P 02:45P	M T W TH	108	000	0
13008	WDT	125	SHIELDED METAL ARC WELDING LAB	STAFF	09:15A 11:30A	M T W TH	108	000	3
*****	WDT	125	SHIELDED METAL ARC WELDING LAB	STAFF	12:30P 02:45P	M T W TH	108	000	0
13013	WDT	217	SMAW CARBON PIPE THEORY	STAFF	01:30P 02:45P	M T W TH	108	000	3
13014	WDT	257	SMAW CARBON PIPE LAB	STAFF	08:00A 11:30A	M T W TH	108	000	3
*****	WDT	257	SMAW CARBON PIPE LAB	STAFF	12:30P 01:30P	M T W TH	108	000	0
<b>EXTENDED DAY</b>									
13052	WDT	109	SMAW FILLET/PAC/CAC	STAFF	04:00P 06:30P	M & W	108	000	3
13054	WDT	120	SHIELDED METAL ARC WELDING GROOVE	STAFF	04:00P 06:30P	T & TH	108	000	3
13056	WDT	123	SMAW FILLET/PAC/CAC LAB	STAFF	06:30P 11:00P	M T W TH	108	000	3
13058	WDT	125	SHIELDED METAL ARC WELDING LAB	STAFF	06:30P 11:00P	M T W TH	108	000	3

**DISTANCE EDUCATION CLASSES**

See **Distance Education Orientation Sessions Section** for further information on Spring 2008 distance courses.

**WEB COURSES**

25005	ART	174 *4	PHOTOGRAPHY II	FREDERICK J L	TBA	TBA	TBA	TBA	3
25003	ART	203	ART HISTORY I	STAFF	TBA	TBA	TBA	TBA	3
25301	BUS	271	BUSINESS STATISTICS I	JAMES J H	TBA	TBA	TBA	TBA	3
24001	CHD	205	PROGRAM PLAN FOR ED YC	BURNLEY	TBA	TBA	TBA	TBA	3
25500	CIS	146 *7	MICROCOMPUTER APPLICATION	ROBERSON T D	TBA	TBA	TBA	TBA	3
25501	CIS	146 *7	MICROCOMPUTER APPLICATION	ROBERSON T D	TBA	TBA	TBA	TBA	3
25502	CIS	147 *7	ADV MICROCOMPUTER APPLICATION	ROBERSON T D	TBA	TBA	TBA	TBA	3
21911	DDT	117	MANUFACTURING PROCESSES	RICE A O	TBA	TBA	TBA	TBA	3
25801	ECO	231	PRIN OF MACROECONOMICS	BALTES J T	TBA	TBA	TBA	TBA	3
26001	ENG	101 *8	ENGLISH COMPOSITION I	NESBITT M M	TBA	TBA	TBA	TBA	3
26002	ENG	102 *8	ENGLISH COMPOSITION II	BENSON D A	TBA	TBA	TBA	TBA	3
26501	HED	231	FIRST AID	LEE M C	TBA	TBA	TBA	TBA	3
26502	HED	226	WELLNESS	LEE M C	TBA	TBA	TBA	TBA	3
26601	HIS	101	WESTERN CIVILIZATION I	PEARSON S A	TBA	TBA	TBA	TBA	3
26602	HIS	102	WESTERN CIVILIZATION II	PEARSON S A	TBA	TBA	TBA	TBA	3
26603	HIS	201	UNITED STATES HISTORY I	PEARSON S A	TBA	TBA	TBA	TBA	3
26604	HIS	202	UNITED STATES HISTORY II	PEARSON S A	TBA	TBA	TBA	TBA	3
27101	MTH	098	ELEMENTARY ALGEBRA	WATSON	TBA	TBA	TBA	TBA	3
27103	MTH	112	PRECALCULUS ALGEBRA	CRABTREE	TBA	TBA	TBA	TBA	3
27401	MUS	101 *9	MUSIC APPRECIATION	HEAD R D	TBA	TBA	TBA	TBA	3
27402	MUS	101 *9	MUSIC APPRECIATION	HEAD R D	TBA	TBA	TBA	TBA	3

## DISTANCE EDUCATION CLASSES (cont'd)

Section	Dept.	Number	Course Description	Instructor	Time	Days	Bldg	Rm	Hrs
See <b>Distance Education Orientation Sessions Section</b> for further information on Spring 2008 distance courses.									
<b>TELEWEB COURSES</b>									
25001	ART	100	ART APPRECIATION	FREDERICK J L	TBA	TBA	TBA	TBA	3
25002	ART	173 *4	PHOTOGRAPHY I	FREDERICK J L	TBA	TBA	TBA	TBA	3
25701	CRJ	208	INTRO TO CRIMINOLOGY	BOWEN E R	TBA	TBA	TBA	TBA	3
26003	ENG	271 *8	WORLD LITERATURE I	BENSON D A	TBA	TBA	TBA	TBA	3
26004	ENG	272 *8	WORLD LITERATURE II	NESBITT M M	TBA	TBA	TBA	TBA	3
27102	MTH	100	INTERMEDIATE ALGEBRA	LYNDON	TBA	TBA	TBA	TBA	3
27104	MTH	116	MATHEMATICAL APPLICATIONS	RICKETTS	TBA	TBA	TBA	TBA	3
28901	ORI	101	ORIENTATION TO COLLEGE	HAWKINS M K	TBA	TBA	TBA	TBA	1
28301	PSY	107	STUDY SKILLS	WALKER C A	TBA	TBA	TBA	TBA	1
28302	PSY	200	GENERAL PSYCHOLOGY	STONE R A	TBA	TBA	TBA	TBA	3
28303	PSY	200	GENERAL PSYCHOLOGY	NICHOLS	TBA	TBA	TBA	TBA	3
28304	PSY	210	HUMAN GROWTH & DEVELOPMENT	STONE R A	TBA	TBA	TBA	TBA	3
28305	PSY	210	HUMAN GROWTH & DEVELOPMENT	SISERIR	TBA	TBA	TBA	TBA	3
29101	SOC	200	INTRO TO SOCIOLOGY	SEALY P M	TBA	TBA	TBA	TBA	3

### TELECOURSES

21713	COS	131	AESTHETICS	STAFF	TBA	TBA	TBA	TBA	3
21746	COS	168	BACTERIOLOGY & SANITATION	STAFF	TBA	TBA	TBA	TBA	3

### BLENDED COURSES

25202	BIO	103A *5	PRINCIPLES OF BIOLOGY I	JONES R C	TBA	TBA	TBA	TBA	4
25204	BIO	104 *6	PRINCIPLES OF BIOLOGY II	HORTON L S	TBA	TBA	TBA	TBA	4
27701	PED	123 *10	GOLF: BEGINNING	LEE M C	TBA	TBA	TBA	TBA	1
27702	PED	124 *10	GOLF: INTERMEDIATE	LEE M C	TBA	TBA	TBA	TBA	1

\*4 SLR CAMERA REQUIRED.

\*5 CO-REQUISITE OF BIO103L.. STUDENTS MAY REGISTER FOR ANY OF THE BIO103L SECTIONS OFFERED.

\*6 STUDENTS MUST ARRANGE FOR AN ON-CAMPUS BIOLOGY LAB WITH LANA HORTON.

\*7 IN ORDER TO COMPLETE CIS 146 AND CIS 147 IN A COMPLETELY DISTANCE FORMAT, STUDENT MUST HAVE MICROSOFT OFFICE 2003 SOFTWARE.

\*8 IN ORDER TO COMPLETE ENG 101, ENG 102, ENG 271 OR ENG 272 IN A COMPLETELY DISTANCE FORMAT, STUDENT MUST HAVE MICROSOFT WORD SOFTWARE.

\*9 MUS 101 STUDENTS SHOULD PURCHASE COURSE DISCS IN THE BOOKSTORE TO BRING WITH THEM TO THE ON-CAMPUS ORIENTATION MEETING FOR THIS COURSE.

\*10 PED COURSES WILL REQUIRE VISITS TO A GOLF COURSE IN ORDER TO COMPLETE THE COURSE REQUIREMENTS.

### TELECOURSES

Telecourses are comprehensive, prerecorded video courses that include videos, student study guides, textbooks, and a variety of additional instructional materials designed to guide students through the courses.

### TELEWEB COURSES

TeleWeb courses are designed to accommodate the educational needs of students who have access to and experience with a computer and the Internet and access to a television and VCR/DVD player.

### WEB COURSES

Online courses are designed to accommodate the educational needs of students who have access to and experience with a computer and the Internet.

### VIDEOCONFERENCING COURSES

The videoconferencing system is a network of classrooms connected by compressed-video technology. The classrooms are equipped with cameras, monitors, and other equipment that allows teachers and students to interact as if they are in the same room. Instructors can use traditional visuals, such as slides, videotapes, and overhead transparencies.

### BLENDED COURSES

Blended courses require students to come on-campus for certain activities such as labs, presentations, or speeches. Students complete the lecture portion of the class without coming to campus.

## DISTANCE EDUCATION DEGREE PROGRAM

Students can now earn an Associate in Science - General Education degree through distance education. This degree program prepares students to transfer to a four-year college/university and is a great place to start for students who are undecided on a major. Many of the courses required for this degree program also apply to other degree programs offered by the college. Distance education courses may use any combination of video, audio, online, and CD-ROM instruction to provide students with a more flexible alternative to on-campus courses. For more information on the distance education degree program, visit the website at <http://www.nwsc.edu/distanceeducation/>.

## DISTANCE EDUCATION ORIENTATION SESSIONS

No information will be mailed to distance education students for the Spring 2008 semester! All distance students are required to complete a General Online Orientation to Distance Education at the following link:

<http://www.nwscc.edu/distanceducation/orientationsession.html>

Online course material for Spring 2008 courses may not be posted until after January 7, 2008. If you are unable to log in after this date, do not see your course listed, or are unsure about how to complete orientation, please contact April Cookson at 256-331-5395.

### SHOALS CAMPUS DISTANCE EDUCATION ON-CAMPUS ORIENTATIONS

DATE	COURSE	LOCATION	START TIME
January 4, 2008	BIO 104A	Bldg. 123, Room 131	3:00 p.m.
January 4, 2008	ENG 101, ENG 272	Bldg. 120, Room 120	3:00 p.m.
January 4, 2008	His 101, HIS 102	Bldg. 121, Room 141	1:30 p.m.
January 4, 2008	HIS 201, HIS 202	Bldg. 121, Room 141	2:30 p.m.
January 4, 2008	MTH 098	Bldg. 110, Room 110	12:00 p.m.
January 4, 2008	MUS 101	Bldg. 112, Room 112	11:00 a.m.
January 7, 2008	ART 100	Bldg. 120, Room 120	11:30 a.m.
January 7, 2008	ART 173, ART 174	Bldg. 120, Room 120	12:00 p.m.
January 7, 2008	ART 203	Bldg. 120, Room 120	1:00 p.m.
January 7, 2008	BIO 103A	Bldg. 123, Room 131	2:00 p.m.
January 7, 2008	COS 131, COS 168	Bldg. 110, Room 107	5:00 p.m.
January 7, 2008	CRJ 208	Bldg. 120, Room 120	2:00 p.m.
January 7, 2008	MTH 100	Bldg. 110, Room 110	2:00 p.m.
January 7, 2008	SOC 200	Bldg. 120, Room 129	3:30 p.m.

### PHIL CAMPBELL CAMPUS DISTANCE EDUCATION ON-CAMPUS ORIENTATIONS

DATE	COURSE	LOCATION	START TIME
January 4, 2008	ENG 101	Bldg. 307, Room AV-2	1:00 p.m.
January 4, 2008	ENG 272	Bldg. 307, Room AV-2	4:00 p.m.
January 4, 2008	HIS 101, HIS 102	Bldg. 306, Room L-13	1:30 p.m.
January 4, 2008	HIS 201, HIS 202	Bldg. 306, Room L-13	2:30 p.m.
January 4, 2008	MTH 098	Bldg. 307, Room AV-31	3:00 p.m.
January 4, 2008	MUS 101	Bldg. 307, Room AV-31	9:00 a.m.
January 8, 2008	BIO 103A	Bldg. 307, Room AV-5	2:00 p.m.
January 8, 2008	CRJ 208	Bldg. 307, Room AV-2	3:00 p.m.
January 8, 2008	MTH 100	Bldg. 307, Room AV-31	2:00 p.m.
January 8, 2008	SOC 200	Bldg. 307, Room AV-31	3:00 p.m.

### COURSES REQUIRING BLACKBOARD ONLINE ORIENTATION ONLY

No on-campus orientation meetings are required for the following distance courses! Instructions on how to log into Blackboard are located at the bottom of this section and on the College website homepage under Featured Links.

**BUS 271** Business Statistics, **CHD 205** Program Plan for Educating Young Children, **CIS 146** Microcomputer Applications, **CIS 147** Advanced Microcomputer Applications, **ECO 231** Principles of Macroeconomics, **ENG 102** English Composition II, **ENG 271** World Literature I, **HED 226** Wellness, **HED 231** First Aid, **MTH 116** Mathematical Applications, **PED 123** Golf: Beginning, **PED 124** Golf: Intermediate, **PSY 200** General Psychology, **PSY 210** Human Growth & Development

**Blackboard Login Instructions:** Go to NW-SCC homepage at [www.nwscc.edu](http://www.nwscc.edu), Click on Blackboard under Featured Links, Username: first initial + last initial + student number, Password: student number

*NOTE: Your student number is the five-digit student number assigned by NW-SCC.*

**Students enrolled in the following Distance Education courses should contact their instructor by phone or visit the noted link.**

DDT 117 Manufacturing Processes	Instructor: Alton Rice	Phone: 256-331-5257
MTH 112 Precalculus Algebra	Instructor: Sherry Crabtree	Phone: 256-331-6258
PSY 107 Study Skills	Instructor: Dr. Ann Walker	Phone: 256-331-5358
ORI 101 Orientation to College	<a href="http://www.nwscc.edu/distanceducation/orientationclass/">http://www.nwscc.edu/distanceducation/orientationclass/</a>	

**For Information on the following classes call the Office of Continuing Education.  
For Computer Classes call 331-5465 or 1-800-645-8967, Ext. 5465  
All Other Classes call 331-5221/331-5218 or 1-800-645-8967, Ext. 5221**

## COMPUTER CLASSES

Course No.	Course Description	Date	Sessions	Time	Days	Bldg.	Cost
<b>SHOALS CAMPUS</b>							
CEU225P	ACCESS LEVEL I	JANUARY 28-29	2	8:00 A.M.-12:00 P.M.	M T	115	\$93.00
CEU225P	ACCESS LEVEL I	JAN. 28-FEB. 6	4	6:00 P.M.-8:15 P.M.	M W	115	\$93.00
CEU225P	ACCESS LEVEL I	FEBRUARY 13-14	2	8:00 A.M.-12:00 P.M.	W TH	115	\$93.00
CEU225P	ACCESS LEVEL I	MARCH 10-11	2	8:00 A.M.-12:00 P.M.	M T	115	\$93.00
CEU225P	ACCESS LEVEL I	MARCH 24-APRIL 2	4	6:00 P.M.-8:15 P.M.	M W	115	\$93.00
CEU225P	ACCESS LEVEL I	APRIL 1-10	4	12:30 P.M.-2:30 P.M.	T TH	115	\$93.00
CEU225P	ACCESS LEVEL I	APRIL 9-10	2	8:00 A.M.-12:00 P.M.	W TH	115	\$93.00
CEU225P	ACCESS LEVEL I	APRIL 28-29	2	8:00 A.M.-12:00 P.M.	M T	115	\$93.00
CEU225R	ACCESS LEVEL II	FEBRUARY 25-26	2	8:00 A.M.-12:00 P.M.	M T	115	\$93.00
CEU225R	ACCESS LEVEL II	FEB. 25-MARCH 6	4	6:00 P.M.-8:15 P.M.	T TH	115	\$93.00
CEU225R	ACCESS LEVEL II	APRIL 23-24	2	8:00 A.M.-12:00 P.M.	W TH	115	\$93.00
CEU225R	ACCESS LEVEL II	MAY 12-13	2	8:00 A.M.-12:00 P.M.	M T	115	\$93.00
CEU227G	ADOBE ACROBAT	JANUARY 28-29	2	8:00 A.M.12:00 P.M.	M T	115	\$93.00
CEU227G	ADOBE ACROBAT	FEBRUARY 11-20	4	6:00 P.M.-8:15 P.M.	M W	115	\$93.00
CEU227G	ADOBE ACROBAT	FEBRUARY 27-28	2	8:00 A.M.-12:00 P.M.	W TH	115	\$93.00
CEU227G	ADOBE ACROBAT	APRIL 21-30	4	6:00 P.M.-8:15 P.M.	M W	115	\$93.00
CEU210B	BUYING AND SELLING ON EBAY	JANUARY 30-31	2	8:00 A.M.-12:00 P.M.	T TH	115	\$93.00
CEU210B	BUYING AND SELLING ON EBAY	FEBRUARY 12-21	4	6:00 P.M.-8:15 P.M.	T TH	115	\$93.00
CEU210B	BUYING AND SELLING ON EBAY	MARCH 24-APR 2	4	6:00 P.M.-8:15 P.M.	M W	115	\$93.00
CEU210B	BUYING AND SELLING ON EBAY	MARCH 26-27	2	8:00 A.M.-12:00 P.M.	W TH	115	\$93.00
CEU210B	BUYING AND SELLING ON EBAY	APRIL 22-MAY 1	4	6:00 P.M.-8:15 P.M.	T TH	115	\$93.00
CEU224Q	EXCEL LEVEL I	JANUARY 15-24	4	6:00 P.M.-8:15 P.M.	T TH	115	\$93.00
CEU224Q	EXCEL LEVEL I	JANUARY 23-24	2	8:00 A.M.-12:00 P.M.	W TH	115	\$93.00
CEU224Q	EXCEL LEVEL I	FEBRUARY 6-7	2	8:00 A.M.-12:00 P.M.	W TH	115	\$93.00
CEU224Q	EXCEL LEVEL I	MARCH 4 -13	4	12:30 P.M.-2:30 P.M.	T TH	115	\$93.00
CEU224Q	EXCEL LEVEL I	MARCH 10-19	4	6:00 P.M.-8:15 P.M.	M W	115	\$93.00
CEU224Q	EXCEL LEVEL I	MARCH 19-20	2	8:00 A.M.-12:00 P.M.	W TH	115	\$93.00
CEU224Q	EXCEL LEVEL I	MARCH 31-APR 1	2	8:00 A.M.-12:00 P.M.	M T	115	\$93.00
CEU224Q	EXCEL LEVEL I	APRIL 30-MAY 1	2	8:00 A.M.-12:00 P.M.	W TH	115	\$93.00
CEU224R	EXCEL LEVEL II	FEBRUARY 12-21	4	6:00 P.M.-8:15 P.M.	T TH	115	\$93.00
CEU224R	EXCEL LEVEL II	FEBRUARY 13-14	2	8:00 A.M.-12:00 P.M.	W TH	115	\$93.00
CEU224R	EXCEL LEVEL II	APRIL 8-17	4	6:00 P.M.-8:15 P.M.	T TH	115	\$93.00
CEU224R	EXCEL LEVEL II	APRIL 21-22	2	8:00 A.M.-12:00 P.M.	M T	115	\$93.00
CEU224S	EXCEL LEVEL III	MARCH 5-6	2	8:00 A.M.-12:00 P.M.	W TH	115	\$93.00
CEU210C	INTERNET EXPLORER	JANUARY 16-17	2	8:00 A.M.-12:00 P.M.	W TH	115	\$93.00
CEU210C	INTERNET EXPLORER	FEB. 25-MARCH 5	4	6:00 P.M.-8:15 P.M.	M W	115	\$93.00
CEU210C	INTERNET EXPLORER	MARCH 26-27	2	8:00 A.M.-12:00 P.M.	W TH	115	\$93.00
CEU210C	INTERNET EXPLORER	APRIL 7-8	2	8:00 A.M.-12:00 P.M.	M T	115	\$93.00
CEU220B	KEYBOARDING	JANUARY 7-15	4	8:00 A.M.-12:00 P.M.	M T	115	\$108.00
CEU220B	KEYBOARDING	JANUARY 8-24	6	6:00 P.M.-9:00 P.M.	T TH	115	\$108.00
CEU220B	KEYBOARDING	APRIL 7-23	6	6:00 P.M.-9:00 P.M.	M W	115	\$108.00
CEU226A	POWERPOINT I	JANUARY 9-10	2	8:00 A.M.-12:00 P.M.	W TH	115	\$93.00
CEU226A	POWERPOINT I	JAN. 29-FEB. 7	4	6:00 P.M.-8:15 P.M.	T TH	115	\$93.00
CEU226B	POWERPOINT II	MARCH 10-11	2	8:00 A.M.-12:00 P.M.	M T	115	\$93.00
CEU226B	POWERPOINT II	MARCH 25-MAR 3	4	6:00 P.M.-8:15 P.M.	T TH	115	\$93.00
CEU228C	PROJECT	FEBRUARY 27-28	2	8:00 A.M.-12:00 P.M.	W TH	115	\$93.00
CEU228C	PROJECT	MARCH 10-19	4	6:00 P.M.-8:15 P.M.	M W	115	\$93.00
CEU228C	PROJECT	APRIL 9-10	2	8:00 A.M.-12:00 P.M.	W TH	115	\$93.00
CEU227D	PUBLISHER	JANUARY 23-24	2	8:00 A.M.-2:00 P.M.	W TH	115	\$93.00
CEU227D	PUBLISHER	JANUARY 28-FEB 6	4	6:00 P.M.-8:15 P.M.	M W	115	\$93.00
CEU227D	PUBLISHER	FEBRUARY 20-21	2	8:00 A.M.-12:00 P.M.	W TH	115	\$93.00
CEU227D	PUBLISHER	MARCH 19-20	2	8:00 A.M.-12:00 P.M.	W TH	115	\$93.00
CEU227D	PUBLISHER	MARCH 25-APR 3	4	6:00 P.M.-8:15 P.M.	T TH	115	\$93.00
CEU225M	QUICKBOOKS I 2007	JAN. 29-FEB. 7	4	6:00 P.M.-8:15 P.M.	T TH	115	\$93.00
CEU225M	QUICKBOOKS I 2007	JANUARY 30-31	2	8:00 A.M.-12:00 P.M.	W TH	115	\$93.00
CEU225M	QUICKBOOKS I 2007	FEBRUARY 20-21	2	8:00 A.M.-12:00 P.M.	W TH	115	\$93.00
CEU225M	QUICKBOOKS I 2007	MARCH 11-20	4	6:00 P.M.-8:15 P.M.	T TH	115	\$93.00
CEU225M	QUICKBOOKS I 2007	MARCH 12-13	2	8:00 A.M.-12:00 P.M.	W TH	115	\$93.00
CEU225M	QUICKBOOKS I 2007	APRIL 23-24	2	8:00 A.M.-12:00 P.M.	W TH	115	\$93.00
CEU225S	QUICKBOOKS II 2007	FEBRUARY 11-12	2	8:00 A.M.-12:00 P.M.	M T	115	\$93.00
CEU225S	QUICKBOOKS II 2007	FEBRUARY 25-26	2	8:00 A.M.-12:00 P.M.	M T	115	\$93.00
CEU225S	QUICKBOOKS II 2007	FEB. 25-MARCH 5	4	6:00 P.M.-8:15 P.M.	M W	115	\$93.00
CEU225S	QUICKBOOKS II 2007	APRIL 2-3	2	8:00 A.M.-12:00 P.M.	W TH	115	\$93.00
CEU225S	QUICKBOOKS II 2007	APRIL 8-17	4	6:00 P.M.-8:15 P.M.	T TH	115	\$93.00

**For Information on the following classes call the Office of Continuing Education.  
For Computer Classes call 331-5465 or 1-800-645-8967, Ext. 5465  
All Other Classes call 331-5221/331-5218 or 1-800-645-8967, Ext. 5221**

### COMPUTER CLASSES (cont'd)

Course No.	Course Description	Date	Sessions	Time	Days	Bldg.	Cost
CEU222H	WINDOWS	JANUARY 7-16	4	6:00 P.M.-8:15 P.M.	M W	115	\$93.00
CEU222H	WINDOWS	JANUARY 9-10	2	8:00 A.M.-12:00 P.M.	W TH	115	\$93.00
CEU222H	WINDOWS	JANUARY 22-31	4	12:30 P.M.-2:30 P.M.	T TH	115	\$93.00
CEU222H	WINDOWS	FEBRUARY 4-5	2	8:00 A.M.-12:00 P.M.	M T	115	\$93.00
CEU222H	WINDOWS	FEB. 26-MARCH 6	4	6:00 P.M.-8:15 P.M.	T TH	115	\$93.00
CEU222H	WINDOWS	MARCH 5-6	2	8:00 A.M.-12:00 P.M.	W TH	115	\$93.00
CEU222H	WINDOWS	APRIL 7-8	2	8:00 A.M.-12:00 P.M.	M T	115	\$93.00
CEU222H	WINDOWS	APRIL 22-MAY 1	4	6:00 P.M.-8:15 P.M.	T TH	115	\$93.00
CEU222H	WINDOWS	APRIL 30-MAY 1	2	8:00 A.M.-12:00 P.M.	W TH	115	\$93.00
CEU223O	WORD I	JANUARY 7-16	2	6:00 P.M.-8:15 P.M.	M W	115	\$93.00
CEU223O	WORD I	JANUARY 16-17	2	8:00 A.M.-12:00 P.M.	W TH	115	\$93.00
CEU223O	WORD I	FEBRUARY 11-12	2	8:00 A.M.-12:00 P.M.	M T	115	\$93.00
CEU223O	WORD I	FEBRUARY 12-21	4	12:30 P.M.-2:30 P.M.	T TH	115	\$93.00
CEU223O	WORD I	MARCH 3-4	2	8:00 A.M.-12:00 P.M.	M T	115	\$93.00
CEU223O	WORD I	MARCH 11-20	4	6:00 P.M.-8:15 P.M.	T TH	115	\$93.00
CEU223O	WORD I	APRIL 2-3	2	8:00 A.M.-12:30 P.M.	W TH	115	\$93.00
CEU223O	WORD I	APRIL 28-MAY 7	4	6:00 P.M.-8:15 P.M.	M W	115	\$93.00
CEU223O	WORD I	MAY 5-6	2	8:00 A.M.-12:00 P.M.	M T	115	\$93.00
CEU223D	WORD II	FEBRUARY 6-7	2	8:00 A.M.-12:00 P.M.	W TH	115	\$93.00
CEU223D	WORD II	FEBRUARY 11-20	4	6:00 P.M.-8:15 P.M.	M W	115	\$93.00
CEU223D	WORD II	MARCH 17-18	2	8:00 A.M.-12:00 P.M.	M T	115	\$93.00
CEU223D	WORD II	APRIL 7-16	4	6:00 P.M. - 8:15 P.M.	M W	115	\$93.00
CEU223E	WORD III	MARCH 12-13	2	8:00 A.M. - 12:00 P.M.	W TH	115	\$93.00

### MUSIC AND DANCE

#### SHOALS CAMPUS

CEI108F	BALLROOM DANCE	JAN. 2-MARCH 4	7	6:30 P.M.-7:30 P.M.	TUES	115	\$30.00
CEI108F	BALLROOM DANCE	APRIL 1-MAY 13	7	6:30 P.M.-7:30 P.M.	TUES	115	\$30.00
CEI106 C	INSTANT PIANO	TBA	TBA	6:00 P.M.-9:30 P.M.	TBA	TBA	\$49.00

### ARTS AND CRAFTS

#### SHOALS CAMPUS

CEI 121S	PHOTOGRAPHY I	JAN. 28-MARCH 3	6	6:00 P.M.-8:30 P.M.	MON	115	\$65.00
CEI125M	PHOTOGRAPHY II	MAR 17-APRIL 21	6	6:00 P.M.-8:30 P.M.	MON	115	\$55.00
CEI 121B	BEGINNING FLORAL ARRANGING	FEB. 11-MARCH 17	6	6:30 P.M.-8:30 P.M.	MON	115	\$60.00
CEI 121B	BEGINNING FLORAL ARRANGING	APRIL 14-MAY 19	6	6:30 P.M.-8:30 P.M.	MON	115	\$60.00
CEI 121C	BASIC CAKE DECORATING	FEB. 7-MAR 6	5	7:00 P.M.-9:00 P.M.	TH	115	\$50.00
CEI 121C	BASIC CAKE DECORATING	APRIL 3-MAY 1	5	7:00 P.M.-9:00 P.M.	TH	115	\$50.00
CEI121F	STAINED GLASS	TBA	1	8:30 P.M.-4:30P.M.	SAT	115	\$80.00

### HOME AND GARDEN

#### SHOALS CAMPUS

CEI 111A	INTERIOR DECORATING-PULLING YOUR ROOMS TOGETHER I	JAN. 18-FEB. 12	6	6:30 P.M.-8:30 P.M.	MON	115	\$50.00
CEI 111A	INTERIOR DECORATING-PULLING YOUR ROOMS TOGETHER I	APRIL 8-MAY 13	6	7:00 P.M.-9:00 P.M.	MON	115	\$50.00

### PROFESSIONAL DEVELOPMENT

#### SHOALS CAMPUS

CEU131E	MEDICAL TERMINOLOGY	JAN. 7-FEB. 25	7	7:00 P.M.-9:00 P.M.	TH	115	\$120.00
CEU131E	MEDICAL TERMINOLOGY	APRIL 7-MAY 19	7	7:00 P.M.-9:00 P.M.	TUES	115	\$120.00
CEU	MEDICAL CODING	TBA	26	5:30 P.M.-8:30 P.M.	T TH	115	\$699.00
CEU120C	ELEMENTARY SPANISH	FEBRUARY 12-28	6	7:00 P.M.-9:00P.M.	T TH	115	\$60.00
CEU120A	BEG CONVERSATIONAL SPANISH	MARCH 4-APRIL 10	10	7:00 P.M.-9:00P.M.	T TH	115	\$70.00
CEU120E	INTER CONVERSATIONAL SPANISH	APRIL 15-MAY 15	10	7:00 P.M.-9:00P.M.	T TH	115	\$70.00
CEU120H	ADV CONVERSATIONAL SPANISH	MAY 20-JUNE 14	6	7:00 P.M.-9:00P.M.	T TH	115	\$50.00

**PERSONAL DEVELOPMENT**

Course No.	Course Description	Date	Sessions	Time	Days	Bldg.	Cost
<b>SHOALS CAMPUS</b>							
CEU120J	BEG SIGN LANGUAGE	FEB. 4-MARCH 10	6	6:30 P.M.-8:30 PM.	MON	115	\$70.00
CEU120J	BEG SIGN LANGUAGE	APRIL 14-MAY 19	6	6:30 P.M.-8:30 PM.	MON	115	\$50.00
CEU120N	INTER SIGN LANGUAGE	JUNE 2-JULY 7	6	6:30 P.M.-8:30 PM	MON	115	\$50.00

**SPORTS FITNESS AND RECREATION**

<b>SHOALS CAMPUS</b>							
Course No.	Course Description	Date	Sessions	Time	Days	Bldg.	Cost
CEI 126A	FITNESS CENTER WORKOUT	OPEN		TBA	M-S	118	\$30.00
CEI 127A	BEGINNING TENNIS	APR 5-26	4	9:00A.M.-10:30 AM.	SAT	TBA	\$35.00

**TEENS IN COLLEGE**

<b>SHOALS CAMPUS</b>							
Course No.	Course Description	Date	Sessions	Time	Days	Bldg.	Cost
CEI 140R	ACT REVIEW	JAN. 17-31	3	5:30 - 8:30 P.M.	TH	115	\$65.00
CEI 140R	ACT REVIEW	MAR. 13-APRIL 3	3	5:30 - 8:30 P.M.	TH	115	\$65.00
CEI 140R	ACT REVIEW	MAY 22-JUNE 5	3	5:30 - 8:30 P.M.	TH	115	\$65.00

**ACADEMY FOR LIFELONG LEARNING**

<b>SHOALS CAMPUS</b>							
Course No.	Course Description	Date	Sessions	Time	Days	Bldg.	Cost
CEI 160A	ACADEMY OF LIFELONG LEARNING	MARCH 4-APRIL 10	12	8:30 A.M.-12:00 P.M.	T TH	115	\$30.00

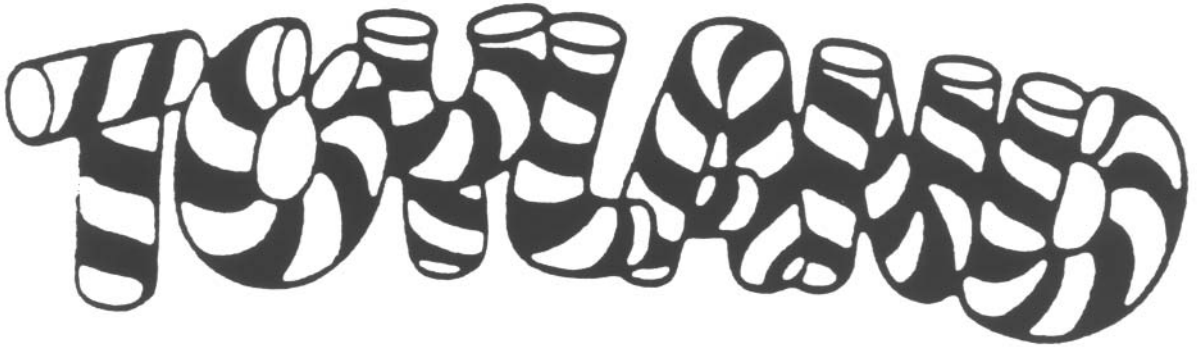
**SAFETY EDUCATION TRAINING**

<b>SHOALS CAMPUS</b>							
Course No.	Course Description	Date	Sessions	Time	Days	Bldg.	Cost
CEU 186A	OSHA STANDARDS FOR GENERAL INDUSTRY (ENGLISH VERSION)	JANUARY 28-29	2	8:00 A.M.-5:00 P.M. 8:00 A.M.-12:00 P.M.	TH FRI	BEVILL BEVILL	\$195.00
CEU 188B	HAZWOPER WASTE SITE REFRESHER	MARCH 4	1	8:00 A.M.-5:00 P.M.	FRI	BEVILL	\$150.00
CEU 188B	HAZWOPER WASTE SITE REFRESHER	MAY 6	1	8:00 A.M.-5:00 P.M.	FRI	BEVILL	\$150.00
CEU 188A	HAZWOPER WASTE SITE WORKER	APRIL 21-25	5	8:00 A.M.-5:00 P.M.	M-F	BEVILL	\$695.00
CEU	ASBESTOS INSPECTOR REFRESHER	MARCH 28	1	8:00 A.M.-5:00 P.M.	FRI	BEVILL	\$195.00
CEU	POWERED INDUSTRIAL TRUCKS TRAIN THE TRAINER	FEBRUARY 12	1	8:00 A.M.-4:00 P.M.	TUES	BEVILL	\$150.00
CEU	ENVIRONMENTAL REGULATIONS	FEBRUARY 26	1	8:00 A.M.-4:00 P.M.	TUES	BEVILL	\$150.00

**EMERGENCY MEDICAL SERVICES**

<b>SHOALS CAMPUS</b>							
Course No.	Course Description	Date	Sessions	Time	Days	Bldg.	Cost
CEU 137G	HEARTSAVER CPR-ALL AGES	FEBRUARY 2	1	8:00 A.M.-11:00 A.M.	SAT	YMCA	\$35.00
CEU 137G	HEARTSAVER CPR-ALL AGES	APRIL 26	1	8:00 A.M.-11:00 P.M.	SAT	YMCA	\$35.00
CEU 137G	HEARTSAVER CPR-ALL AGES	MAY 10	1	8:00 A.M.-11:00 P.M.	SAT	YMCA	\$35.00
CEU 137N	FIRST AID	FEBRUARY 2	1	11:00 A.M.-2:00 P.M.	SAT	YMCA	\$35.00
CEU 137N	FIRST AID	APRIL 26	1	11:00 A.M.-2:00 P.M.	SAT	YMCA	\$35.00
CEU 137N	FIRST AID	MAY 10	1	11:00 A.M.-2:00 P.M.	SAT	YMCA	\$35.00
CEU 136C	BLS FOR HEALTHCARE PROVIDERS	JANUARY 19	1	8:00 A.M.-4:00 P.M.	SAT	BEVILL	\$50.00
CEU 136C	BLS FOR HEALTHCARE PROVIDERS	FEBRUARY 9	1	8:00 A.M.-4:00 P.M.	SAT	BEVILL	\$50.00
CEU 136D	BLS FOR HEALTHCARE PROV RENEWAL	JANUARY 18	1	9:00 A.M.-11:00 A.M.	FRI	BEVILL	\$35.00
CEU 136D	BLS FOR HEALTHCARE PROV RENEWAL	FEBRUARY 22	1	9:00 A.M.-11:00 A.M.	FRI	BEVILL	\$35.00
CEU 136D	BLS FOR HEALTHCARE PROV RENEWAL	APRIL 25	1	9:00 A.M.-11:00 A.M.	FRI	BEVILL	\$35.00
CEU 136D	BLS FOR HEALTHCARE PROV RENEWAL	MAY 9	1	9:00 A.M.-11:00 A.M.	FRI	BEVILL	\$35.00
CEU 136H	BLS/CPR INSTRUCTOR COURSE	JANUARY 25	1	8:00 A.M.-5:00 P.M.	FRI	BEVILL	\$150.00
CEU 136E	ACLS PROVIDER	FEBRUARY 8	1	8:00 A.M.-5:00 P.M.	FRI	BEVILL	\$95.00
CEU 136E	ACLS PROVIDER	APRIL 18	1	8:00 A.M.-5:00 P.M.	FRI	BEVILL	\$95.00
CEU 138P	ACLS RECERTIFICATION	FEBRUARY 8	1	8:00 A.M.-5:00 P.M.	FRI	BEVILL	\$70.00
CEU 138P	ACLS RECERTIFICATION	APRIL 18	1	8:00 A.M.-5:00 P.M.	FRI	BEVILL	\$70.00
CEU 136B	PALS PROVIDER	FEBRUARY 29	1	8:00 A.M.-5:00 P.M.	FRI	BEVILL	\$95.00
CEU 136B	PALS PROVIDER RENEWAL	FEBRUARY 29	1	8:00 A.M.-5:00 P.M.	FRI	BEVILL	\$70.00
CEU 136N	BASIC TRAUMA LIFE SUPPORT	APRIL 11-12	2	8:00 A.M.-5:00 P.M.	F S	BEVILL	\$125.00
CEU 136V	EMERGENCY VEHICLE OPERATORS COURSE	APRIL 4-5	2	8:00 A.M.-5:00 P.M.	F S	BEVILL	\$56.00
CEU 136W	EMER VEHICLE OPER COURSE-REFRESHER	APRIL 4	1	8:00 A.M.-12:00 P.M.	FRI	BEVILL	\$35.00
CEU	EMT-BASIC REFRESHER	MARCH 15	1	8:00 A.M.-5:00 P.M.	SAT	BEVILL	\$50.00
CEU	EMT-PARAMEDIC REFRESHER	MARCH 14-15	2	8:00 A.M.-5:00 P.M.	F S	BEVILL	\$100.00
CEU	PEPP	MARCH 7	1	8:00 A.M.-5:00 P.M.	F	BEVILL	\$95.00

# 26th Anniversary THE LEGEND OF



## Public Performances

Friday, November 30 .....	7:30 p.m.
Saturday, December 1 .....	2:30 p.m.
Saturday, December 1 .....	7:30 p.m.
Sunday, December 2 .....	2:30 p.m.



A production of  
 NORTHWEST-SHOALS  
 COMMUNITY COLLEGE  
 Phil Campbell, Alabama

For ticket information:  
 331-6382 or 331-5226  
 1-800-645-8967  
 Ext. 6382 or Ext. 5226

*Tickets available in the  
 Cashier's Office on both campuses.*

COMCAST AD

# SPRING



Shoals Campus  
P.O. Box 2545  
800 George Wallace Blvd.  
Muscle Shoals, AL 35662

Phil Campbell Campus  
2080 College Road  
Phil Campbell, AL 35581

[www.nwsc.edu](http://www.nwsc.edu)

Shoals Campus  
256.331.5200

Phil Campbell Campus  
256.331.6200

## Calendar & 2008 Spring Registration Dates

November 5 - January 3	Web-Based Registration
November 5-9, 13-16	Advising for Spring Early Registration
November 13-16	On-Site Registration for Currently Enrolled Students
November 13-16	Transient & Dual Enrollment/ Dual Credit Registration
January 3	New Student Registration
January 7	Full Term & First Mini-Term Classes Begin
January 4, 7-10	Add/Drop
January 12	Weekend Classes Begin (Shoals Campus Only)
January 21	King/Lee - State Holiday
February 7	Last Day to Withdraw from First Mini-Term with a grade of "W"
February 28	First Mini-Term Ends
March 3	Second Mini-Term Begins
March 14	Last Day to Withdraw from Full-Term with a grade of "W"
March 24-29	Spring Break (No Classes)
April 9	Last Day to Withdraw from Second Mini-Term with a grade of "W"
April 30	Full-Term and Second Mini-Term Ends
April 30, May 1-2, 5-6	Final Exams